

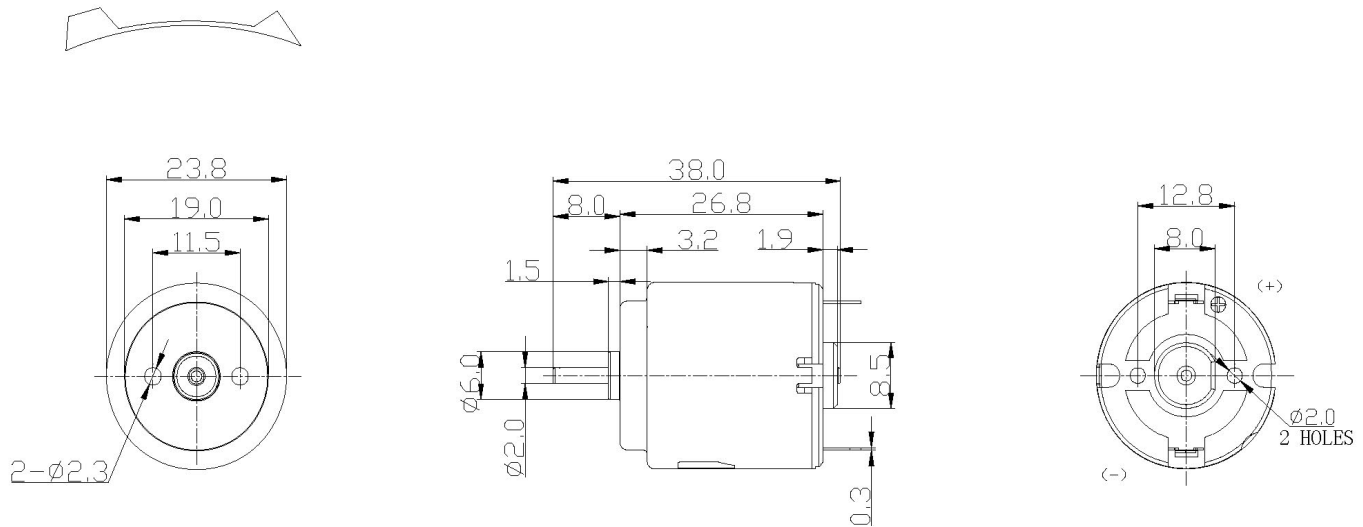


## TR260C /SC series

Typical Applications: Toys and Models  
- Radio Control Model

### DIRECTION OF ROTATION

UNIT:MILLIMETRES



**WEIGHT: 28g (APPROX)**

MODEL	VOLTAGE		NO LOAD		AT MAXIMUM EFFICIENCY				STALL		
	OPERATION RANGE	NOMINAL	SPEED	CURRENT	SPEED	CURRENT	TORQUE		TORQUE		CURRENT
			rpm	A	rpm	A	mN-m	g-cm	mN-m	g-cm	A
TR260C-18130	3.0~6.0V	6.0V CONSTANT	13500	0.150	10980	0.620	1.81	18.5	9.80	100	2.72
TR260C-10400	4.5~12V	12V CONSTANT	9000	0.037	7240	0.152	1.37	14.0	6.86	70	0.60
TR260C-12295	3.0~12V	12V CONSTANT	11800	0.065	9760	0.266	1.88	19.2	9.80	100	1.16
TR260SC-2670	3.0~6.0V	4.5V CONSTANT	13600	0.245	11340	1.28	2.84	29.0	17.64	180	6.65
		6.0V CONSTANT	18800	0.280	16200	1.54	3.30	33.7	22.34	228	8.95
TR260SC-22100	3.0~6.0V	4.5V CONSTANT	10000	0.190	8050	0.790	2.65	27	13.23	135	3.30