

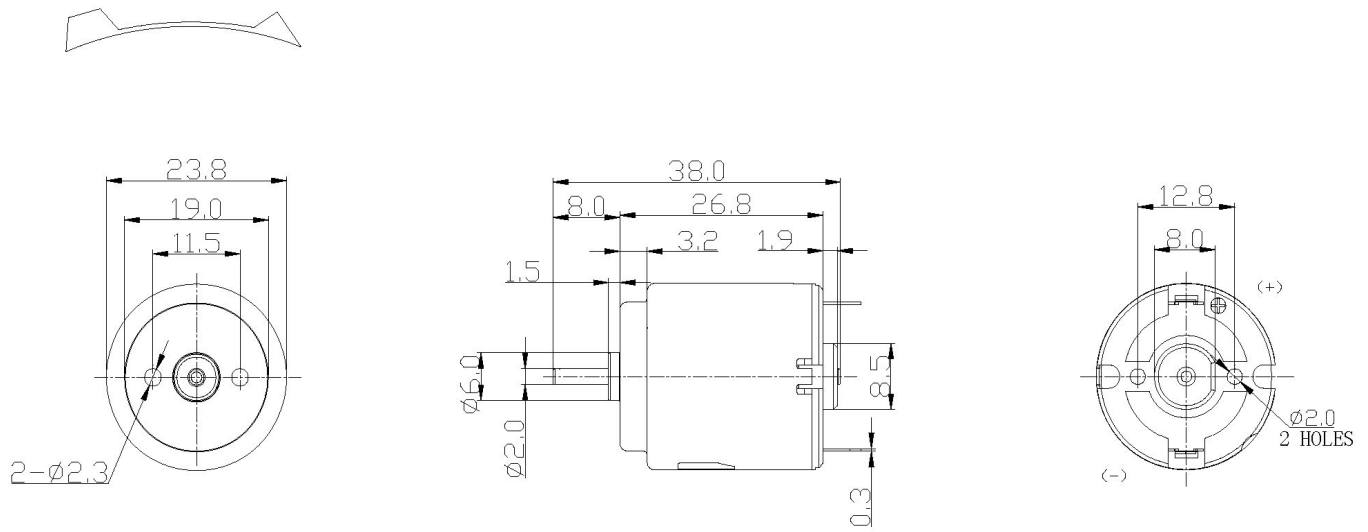


TR260 /S series

Typical Applications: Toys and Models
- Motorized Toys

DIRECTION OF ROTATION

UNIT: MILLIMETRES



WEIGHT: 28g (APPROX)

MODEL	VOLTAGE		NO LOAD		AT MAXIMUM EFFICIENCY				STALL		
	OPERATION RANGE	NOMINAL	SPEED	CURRENT	SPEED	CURRENT	TORQUE		TORQUE		CURRENT
			rpm	A	rpm	A	mN-m	g-cm	mN-m	g-cm	A
TR260-2670	1.5~3.0V	3.0V CONSTANT	12300	0.210	9840	1.000	1.47	15	8.33	85	4.60
TR260-2295	3.0~6.0V	3.0V CONSTANT	9400	0.145	7680	0.570	1.27	13	6.86	70	2.40
		6.0V CONSTANT	16500	0.170	13860	0.900	1.96	20	12.25	125	4.70
TR260-10350	4.5~12V	9.0V CONSTANT	7700	0.035	6200	0.126	0.88	9	4.41	45	0.51
TR260S-2672	1.5~4.5V	1.5V CONSTANT	4500	0.140	3540	0.510	1.27	13	5.88	60	1.85
TR260S-22100	3.0~6.0V	4.5V CONSTANT	10000	0.135	8400	0.740	2.16	22	13.23	135	3.90