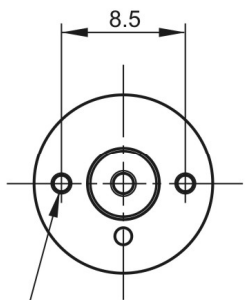


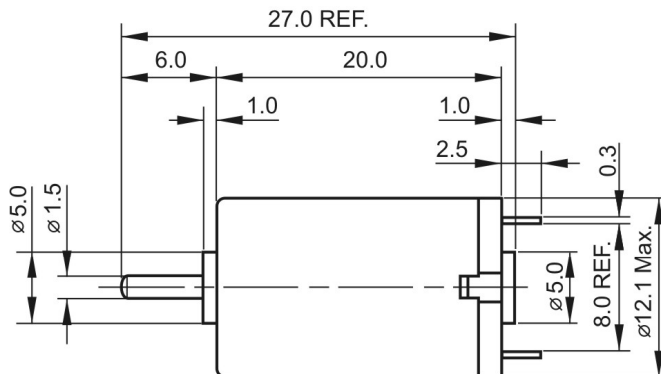
TR1220 series

Typical Applications: Precision Instruments /Toys and Models
 - Camera - Motorized Toys

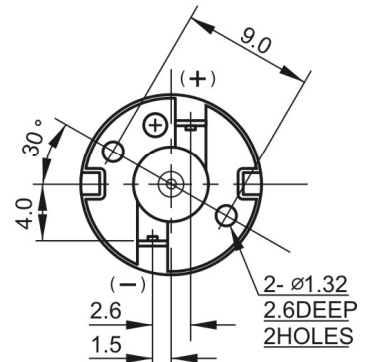
DIRECTION OF ROTATION



M1.6 x 0.35 TAPPED HOLES
2 PLACES



UNIT: MILLIMETRES



WEIGHT: 8g (APPROX)

MODEL	VOLTAGE		NO LOAD		AT MAXIMUM EFFICIENCY				STALL		
	OPERATION RANGE	NOMINAL	SPEED	CURRENT	SPEED	CURRENT	TORQUE		TORQUE	CURRENT	
			rpm	A	rpm	A	mN-m	g-cm	mN-m	g-cm	A
TR1220-13096	1.5~3.0V	2.4V CONSTANT	15000	0.12	11400	0.379	0.25	2.6	1.08	11	1.2
TR1220-15085	1.5~3.0V	2.4V CONSTANT	16000	0.14	12160	0.442	0.30	3.1	1.27	13	1.4