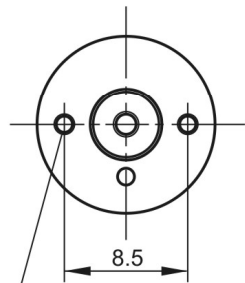




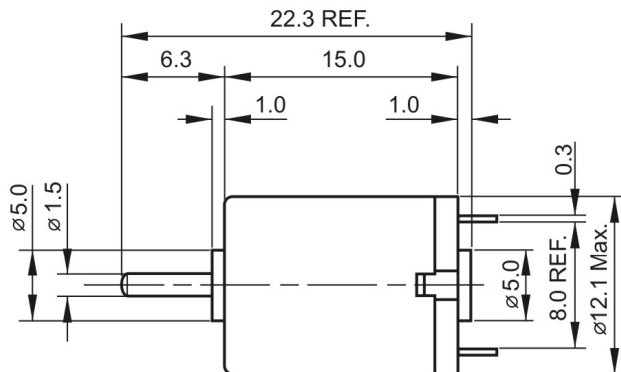
TR1215 series

- Typical Applications:
- Toys and Models
 - Motorized Toys
 - Motorized Plastic Model

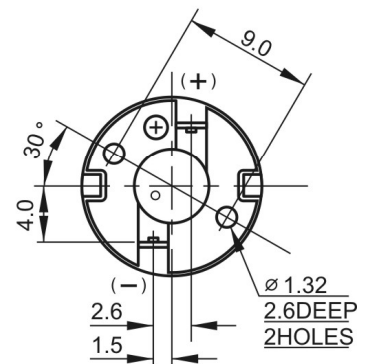
DIRECTION OF ROTATION



M1.6 x 0.35 TAPPED HOLES
2 PLACES



UNIT: MILLIMETRES



WEIGHT: 5.5g (APPROX)

MODEL	VOLTAGE		NO LOAD		AT MAXIMUM EFFICIENCY				STALL		
	OPERATION RANGE	NOMINAL	SPEED rpm	CURRENT A	SPEED rpm	CURRENT A	TORQUE		TORQUE		CURRENT A
							mN-m	g-cm	mN-m	g-cm	
TR1215-06280	1.5~6.0V	3.0V CONSTANT	9200	0.065	5643	0.102	0.09	0.9	0.22	2.2	0.16
TR1215-10110	1.5~3.0V	2.5V CONSTANT	18900	0.265	12348	0.506	0.30	0.21	0.61	6.2	0.96