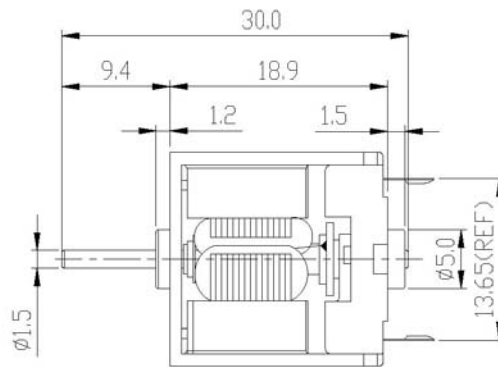
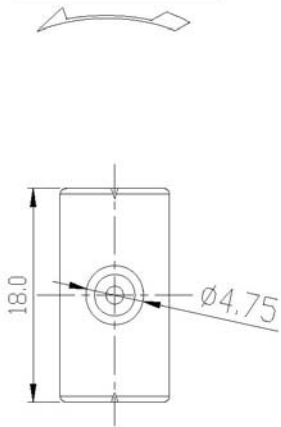


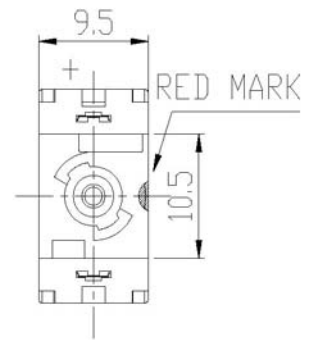
## TU030SC series

- Typical Applications:
- Toys and Models
  - Motorized Toys
  - Radio Control Model

DIRECTION OF ROTATION



UNIT: MILLIMETRES



**WEIGHT: 10g (APPROX)**

MODEL	VOLTAGE		NO LOAD		AT MAXIMUM EFFICIENCY				STALL		
	OPERATION RANGE	NOMINAL	SPEED	CURRENT	SPEED	CURRENT	TORQUE		TORQUE		CURRENT
			rpm	A	rpm	A	mN-m	g-cm	mN-m	g-cm	A
TU030SC-08220	6.0~12V	12V CONSTANT	24000	0.106	17760	0.300	0.89	9.1	3.43	35	0.85
TU030SC-09210	3.0~6.0V	5.0V CONSTANT	10500	0.121	7280	0.274	0.54	5.5	1.76	18	0.62
TU030SC-10140	1.5~6.0V	6.0V CONSTANT	18500	0.158	13200	0.385	0.74	7.5	2.55	26	0.95
TU030SC-12110	1.5~3.0V	3.0V CONSTANT	12500	0.207	8660	0.460	0.54	5.5	1.76	18	3.05