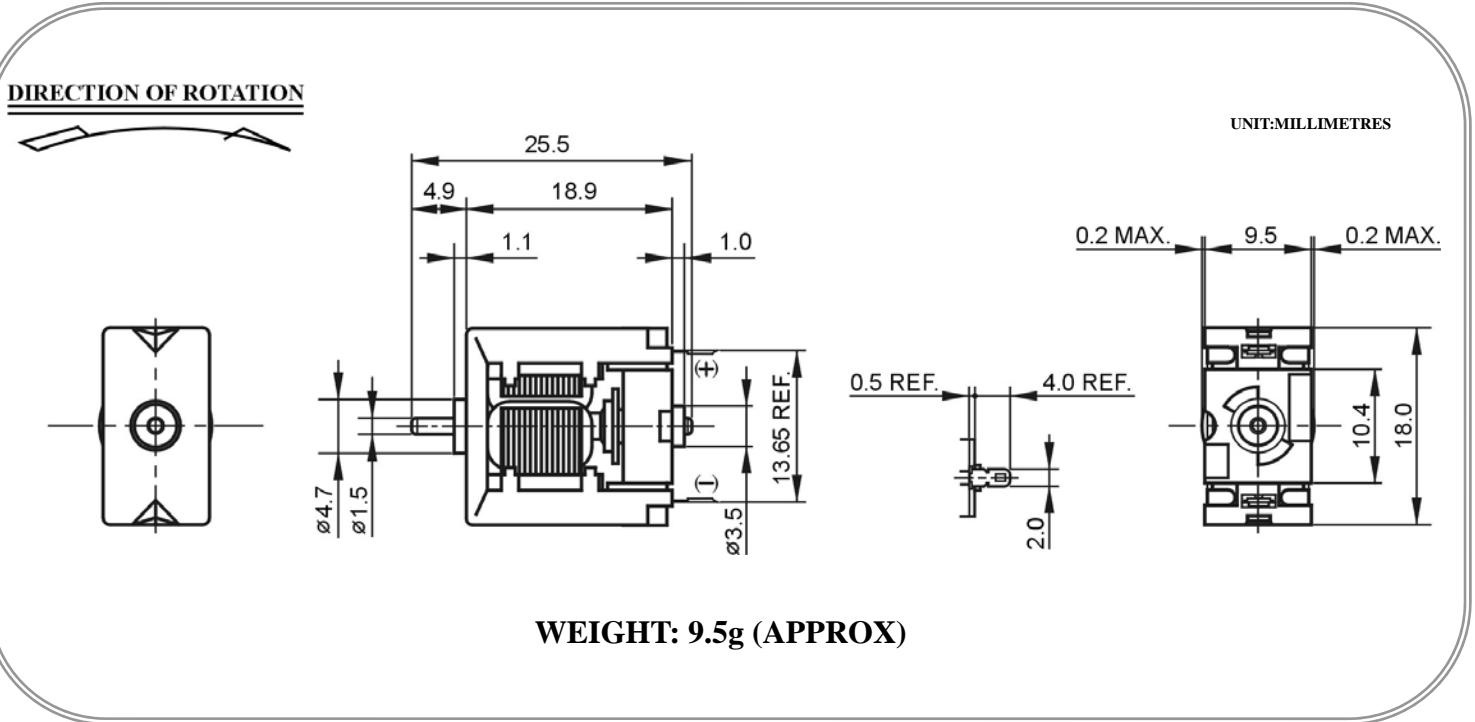




TU020 /S series

- Typical Applications:
- Toys and Models
 - Motorized Toys
 - Radio Control Model



MODEL	VOLTAGE		NO LOAD		AT MAXIMUM EFFICIENCY				STALL		
	OPERATION RANGE	NOMINAL	SPEED	CURRENT	SPEED	CURRENT	TORQUE		TORQUE		CURRENT
			rpm	A	rpm	A	mN-m	g-cm	mN-m	g-cm	A
TU020-09170	1.0~3.0V	3.0V CONSTANT	12500	0.100	8160	0.187	0.17	1.7	0.49	5	0.35
TU020S-08240	3.0~6.0V	3.0V CONSTANT	6400	0.056	4260	0.110	0.23	2.3	0.69	7	0.22
TU020S-3020	1.0~1.5V	1.5V CONSTANT	31500	1.210	22470	3.060	0.56	5.7	1.96	20	7.66