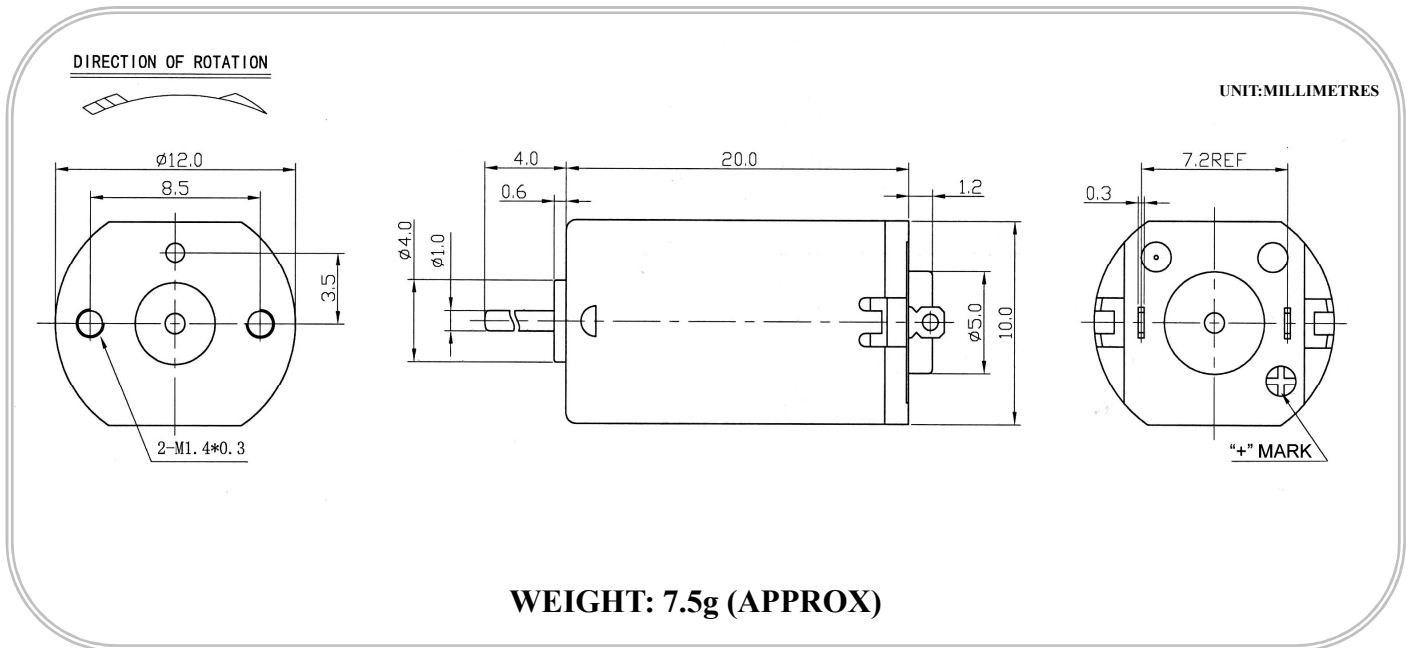


TFN30 series

- Typical Applications:
- Audio and Visual Equipments
 - CD Player
 - MD Player & Recorder
 - Car MD Player



MODEL	VOLTAGE		NO LOAD		AT MAXIMUM EFFICIENCY				STALL		
	OPERATION RANGE	NOMINAL	SPEED	CURRENT	SPEED	CURRENT	TORQUE		TORQUE		CURRENT
			rpm	A	rpm	A	mN-m	g-cm	mN-m	g-cm	A
TFN30-8240	3.0~6.0V	3.0V CONSTANT	4800	0.012	3800	0.045	0.19	1.9	0.88	9	0.17
TFN30-09180	3.0~6.0V	3.0V CONSTANT	6400	0.018	5120	0.070	0.22	2.2	1.08	11	0.28
TFN30-1752	1.5~4.5V	4.5V CONSTANT	30000	0.118	25600	0.720	0.66	6.7	4.51	46	4.20