

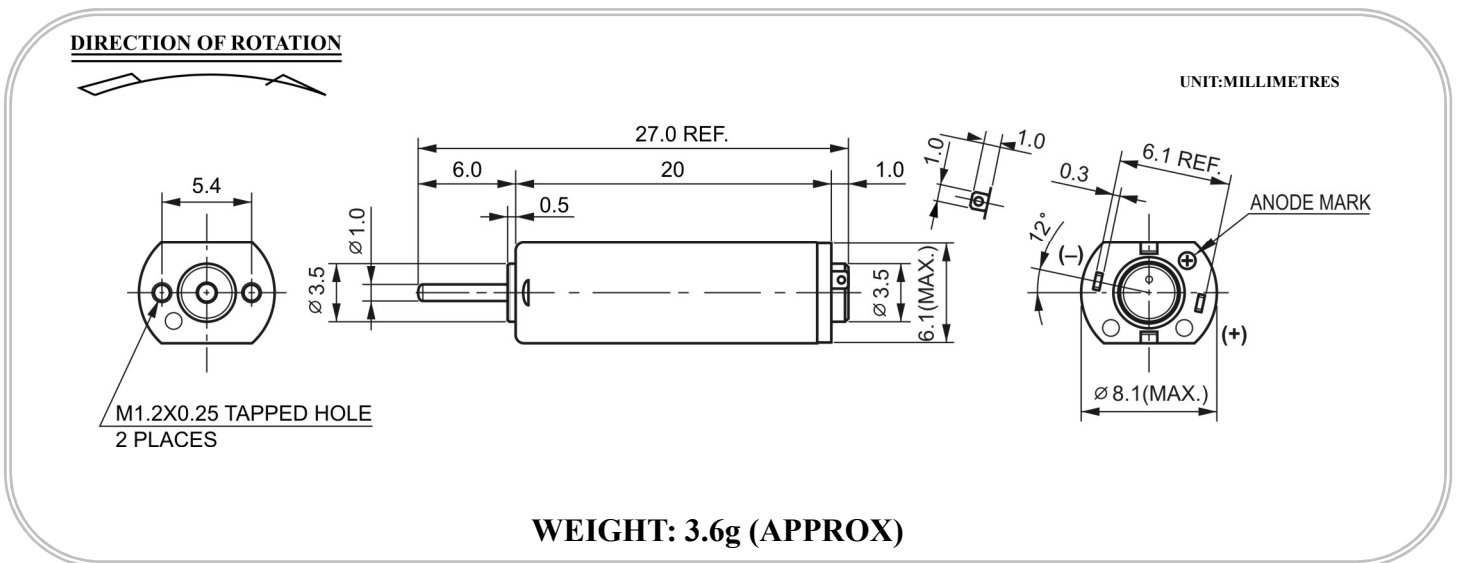


TFK30 series

Typical Applications:

Office Automatic Equipments

- Note Book /PC
- Portable CD Player
- CD/DVD –ROM Drive
- Car CD Player



MODEL	VOLTAGE		NO LOAD		AT MAXIMUM EFFICIENCY				STALL		
	OPERATION RANGE	NOMINAL	SPEED	CURRENT	SPEED	CURRENT	TORQUE		TORQUE		CURRENT
			rpm	A	rpm	A	mN-m	g-cm	mN-m	g-cm	A
TFK30-8Z107	2.5~3.5V	3.0V CONSTANT	15200	0.03	11930	0.126	0.09	1.29	0.588	6.0	0.4