



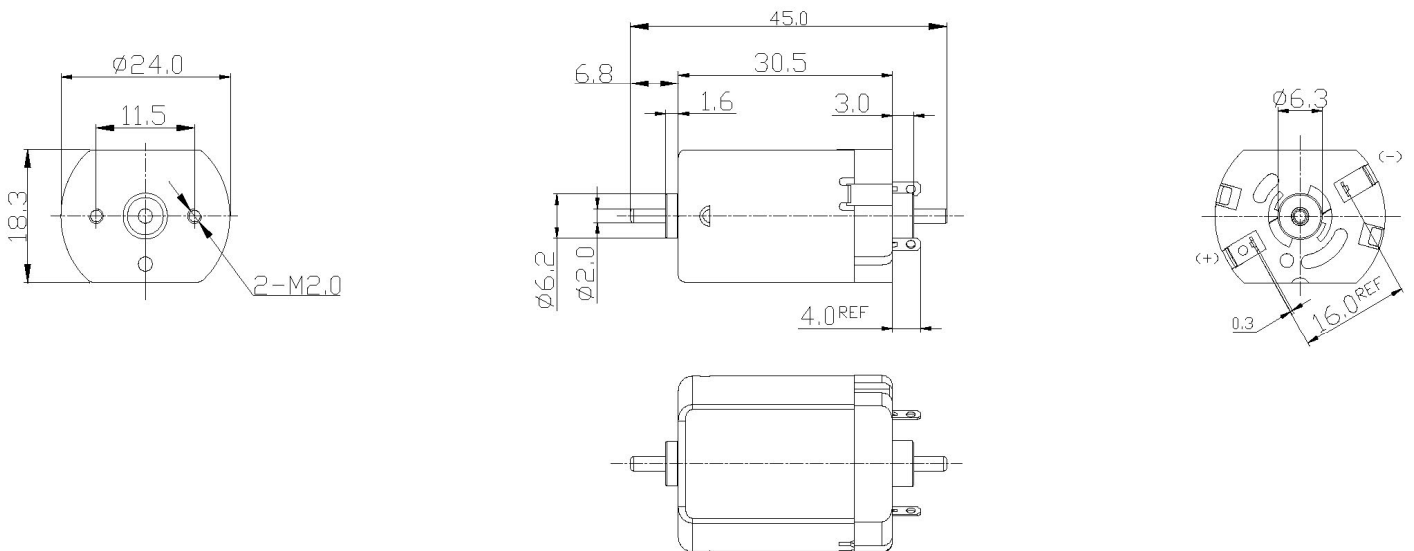
## TFK280C /SC series

- Typical Applications:
- Automotive Products
  - Door Lock Actuator
  - Retractable Rearview Mirror
- /Precision Instruments
  - Vending Machine
- 
- /Office Automation Equipment
  - Printer

DIRECTION OF ROTATION



UNIT:MILLIMETRES



**WEIGHT: 36g (APPROX)**

MODEL	VOLTAGE		NO LOAD		AT MAXIMUM EFFICIENCY				STALL		
	OPERATION RANGE	NOMINAL	SPEED	CURRENT	SPEED	CURRENT	TORQUE		TORQUE	CURRENT	
			rpm	A	rpm	A	mN-m	g-cm	mN-m	g-cm	A
TFK280SC-10350	6.0~12V	12V CONSTANT	5500	0.042	4350	0.15	2.21	22.6	10.29	105	0.56
TFK280SC-12255	6.0~12V	9.0V CONSTANT	6000	0.064	4680	0.23	2.68	27.3	11.76	120	0.83
TFK280SC-18130	6.0~12V	9.0V CONSTANT	11000	0.125	9660	0.64	3.04	31.0	18.13	185	3.40
TFK280SC-3545	1.5~4.5V	3.0V CONSTANT	12000	0.410	10000	1.75	2.65	27.0	13.72	140	7.50