

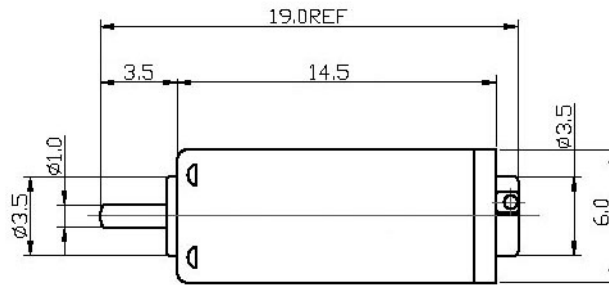
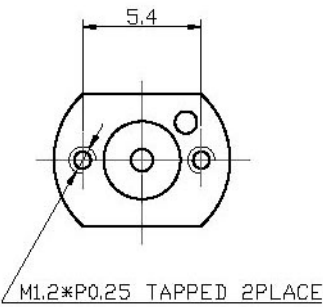
TFK20 series

Typical Applications:

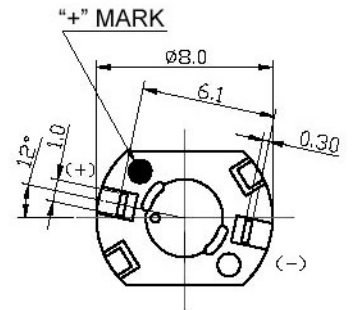
Audio and Visual Equipments

- Portable CD Player
- CD/DVD-ROM Drive
- Car CD Player

DIRECTION OF ROTATION



UNIT:MILLIMETRES



WEIGHT: 2.4g (APPROX)

MODEL	VOLTAGE		NO LOAD		AT MAXIMUM EFFICIENCY				STALL		
	OPERATION RANGE	NOMINAL	SPEED	CURRENT	SPEED	CURRENT	TORQUE		TORQUE		CURRENT
			rpm	A	rpm	A	mN-m	g-cm	mN-m	g-cm	A
TFK20-06200	1.5~3.6V	3.0V CONSTANT	12500	0.03	8940	0.08	0.09	0.9	0.31	3.2	0.19