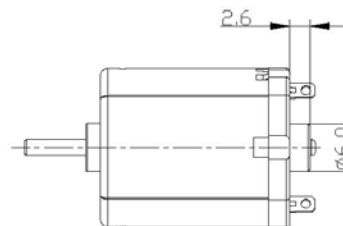
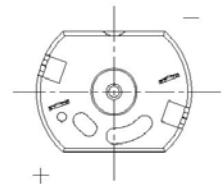
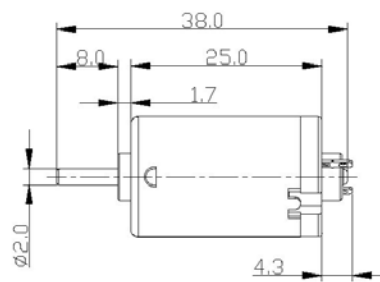
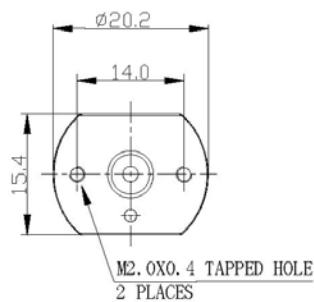
**TFK130S /SC series**

- Typical Applications:    Audio and Visual Equipments    / House Appliances  
                                  - CD Player                                         - Electric Shaver  
                                  - Tape Cassette Adapter
- Office Automation Equipments    / Automotive Products  
                                  - CD-ROM    - Air Conditioning Damper Actuator

DIRECTION OF ROTATION

UNIT: MILLIMETRES

**WEIGHT: 24g (APPROX)**

MODEL	VOLTAGE		NO LOAD		AT MAXIMUM EFFICIENCY				STALL		
	OPERATION RANGE	NOMINAL	SPEED	CURRENT	SPEED	CURRENT	TORQUE		TORQUE	CURRENT	
			rpm	A	rpm	A	mN-m	g-cm	mN-m	g-cm	A
TFK130S-09430	3.0~12V	5.0V CONSTANT	3050	0.035	2155	0.083	0.95	9.7	3.43	35	0.20
TFK130S-14230	3.0~6.0V	3.0V CONSTANT	3600	0.058	2640	0.160	1.07	10.9	4.02	41	0.44
TFK130SC-12240	6.0~12V	12V CONSTANT	14000	0.100	11500	0.430	1.72	17.5	8.62	88	1.80
TFK130SC-15148	3.0~12V	12V CONSTANT	22500	0.185	18300	0.820	2.25	23.0	12.25	125	3.60