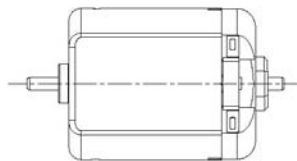
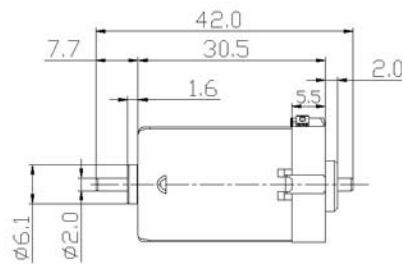
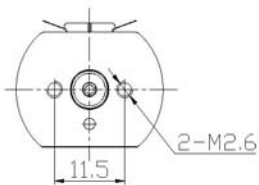




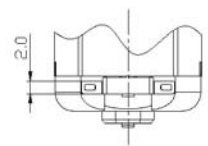
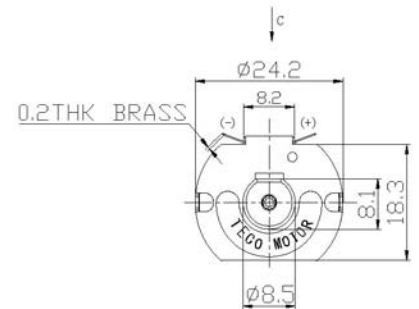
TF280C /SC series

Typical Applications: Automotive Products / Household Appliances
 - Door Lock Actuator - Hair Clipper

DIRECTION OF ROTATION



UNIT: MILLIMETRES



WEIGHT: 35g (APPROX)

MODEL	VOLTAGE		NO LOAD		AT MAXIMUM EFFICIENCY				STALL		
	OPERATION RANGE	NOMINAL	SPEED	CURRENT	SPEED	CURRENT	TORQUE		TORQUE	CURRENT	
			rpm	A	rpm	A	mN-m	g-cm	mN-m	g-cm	A
TF280C-20150	3.0~12V	12V CONSTANT	17500	0.132	15300	0.72	3.14	32.0	20.58	210	4.30
TF280SC-10330	6.0~12V	12V CONSTANT	5650	0.045	4400	0.16	2.20	22.4	10.00	102	0.56
TF280SC-22100	3.0~9.0V	3.0V CONSTANT	5000	0.150	4000	0.55	2.33	23.8	11.27	115	2.10
TF280SC-3536	1.5~3.0V	1.5V CONSTANT	6500	0.260	5000	0.86	1.23	12.6	5.39	55	2.80