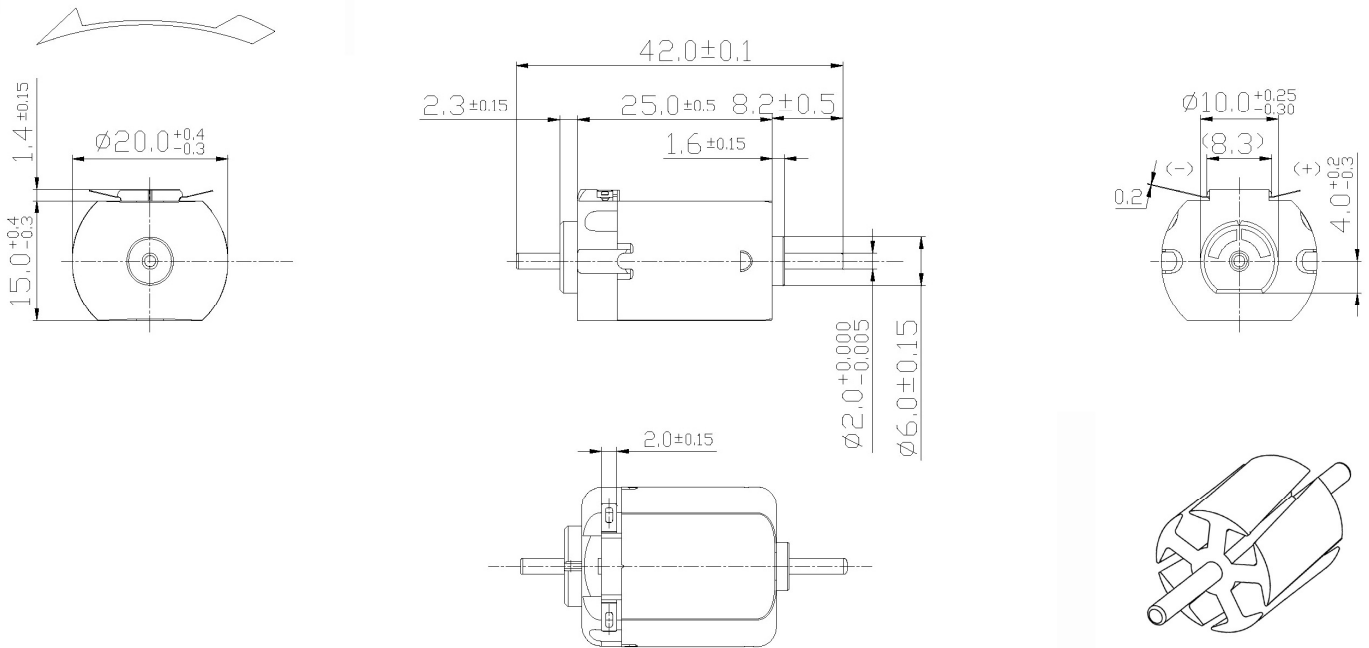


# TF135SC /NC series

Typical Applications: -Toys and Models  
-Radio Control Model

DIRECTION OF ROTATION

UNIT:MILLIMETRES



5 poles rotor

**WEIGHT: 17g (APPROX)**

MODEL	VOLTAGE		NO LOAD		AT MAXIMUM EFFICIENCY				STALL		
	OPERATION RANGE	NOMINAL	SPEED	CURRENT	SPEED	CURRENT	TORQUE		TORQUE	CURRENT	
			rpm	A	rpm	A	mN-m	g-cm	mN-m	g-cm	A
TF135SC-09210S	6.0~12V	12V CONSTANT	9300	0.052	6880	0.148	1.15	11.7	4.41	45	0.42
TF135SC-10170S	6.0~12V	12V CONSTANT	11500	0.077	8430	0.216	1.33	13.6	5.00	51	0.60
TF135NC-10170S	6.0~12V	12V CONSTANT	8200	0.061	6280	0.198	1.97	20.1	8.33	85	0.65
TF135NC-12122S	6.0~12V	12V CONSTANT	12000	0.092	9440	0.333	2.38	24.3	11.17	114	1.22

