



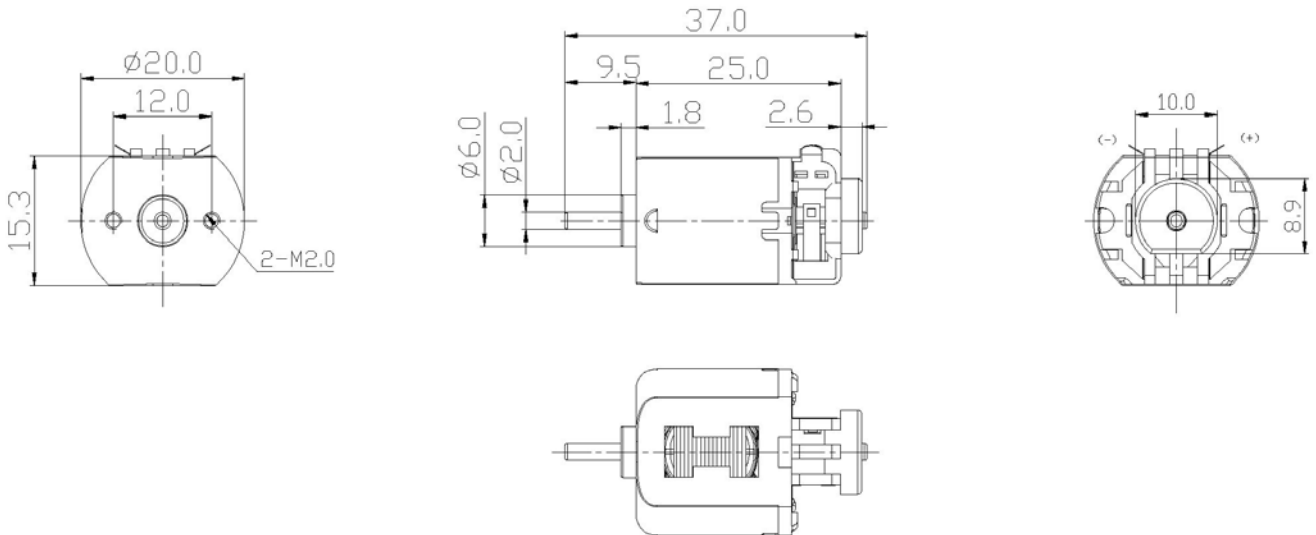
TF130HE / NE (with ball bearing) series

Typical Applications: Toys and Models
 -Motorized Toys
 -Toy's Car 4WD-Monster

DIRECTION OF ROTATION



UNIT: MILLIMETRES



WEIGHT: 24g (APPROX)

MODEL	VOLTAGE		NO LOAD		AT MAXIMUM EFFICIENCY				STALL		
	OPERATION RANGE	NOMINAL	SPEED	CURRENT	SPEED	CURRENT	TORQUE		TORQUE		CURRENT
			rpm	A	rpm	A	mN-m	g-cm	mN-m	g-cm	A
TF130HE-2850	3.0~6.0V	6.0V CONSTANT	38500	0.860	31000	3.54	2.20	22.4	11.37	116	14.70
TF130NE-2940	1.5~3.0V	3.0V CONSTANT	19000	0.930	14500	3.10	2.83	28.9	12.15	124	10.26
TF130NE-3536	1.5~3.0V	3.0V CONSTANT	21500	1.050	16770	3.80	2.89	29.5	13.13	134	13.50