



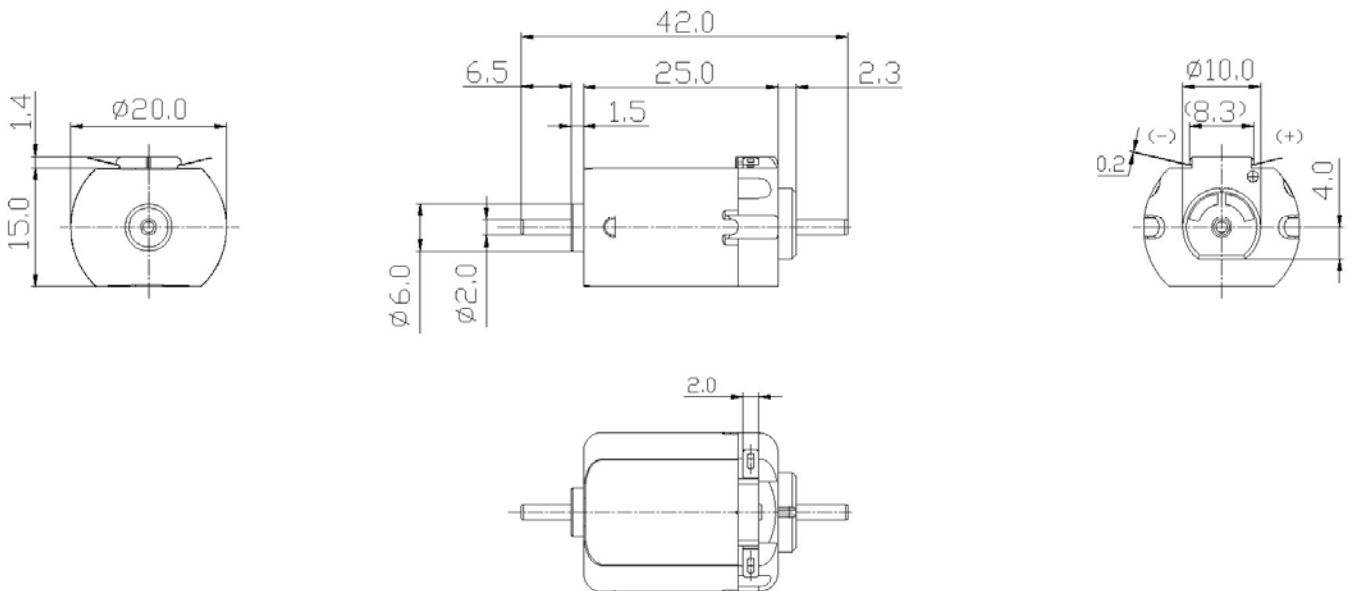
TF130C /SC series

Typical Applications: Toys and Models
-Radio Control Model

DIRECTION OF ROTATION



UNIT:MILLIMETRES



WEIGHT: 17g (APPROX)

MODEL	VOLTAGE		NO LOAD		AT MAXIMUM EFFICIENCY				STALL		
	OPERATION RANGE	NOMINAL	SPEED	CURRENT	SPEED	CURRENT	TORQUE		TORQUE		CURRENT
			rpm	A	rpm	A	mN-m	g-cm	mN-m	g-cm	A
TF130C-10310	3.0~12V	12V CONSTANT	17000	0.080	12900	0.260	1.04	10.6	4.51	46	0.80
TF130C-13190	3.0~6.0V	3.0V CONSTANT	6500	0.100	4500	0.250	0.68	6.9	2.35	24	0.57
TF130SC-10305	3.0~12V	12V CONSTANT	12500	0.070	9800	0.220	1.32	13.5	6.37	65	0.85
TF130SC-14150	3.0~6.0V	4.5V CONSTANT	9500	0.130	7300	0.390	1.13	11.5	4.70	48	1.26