

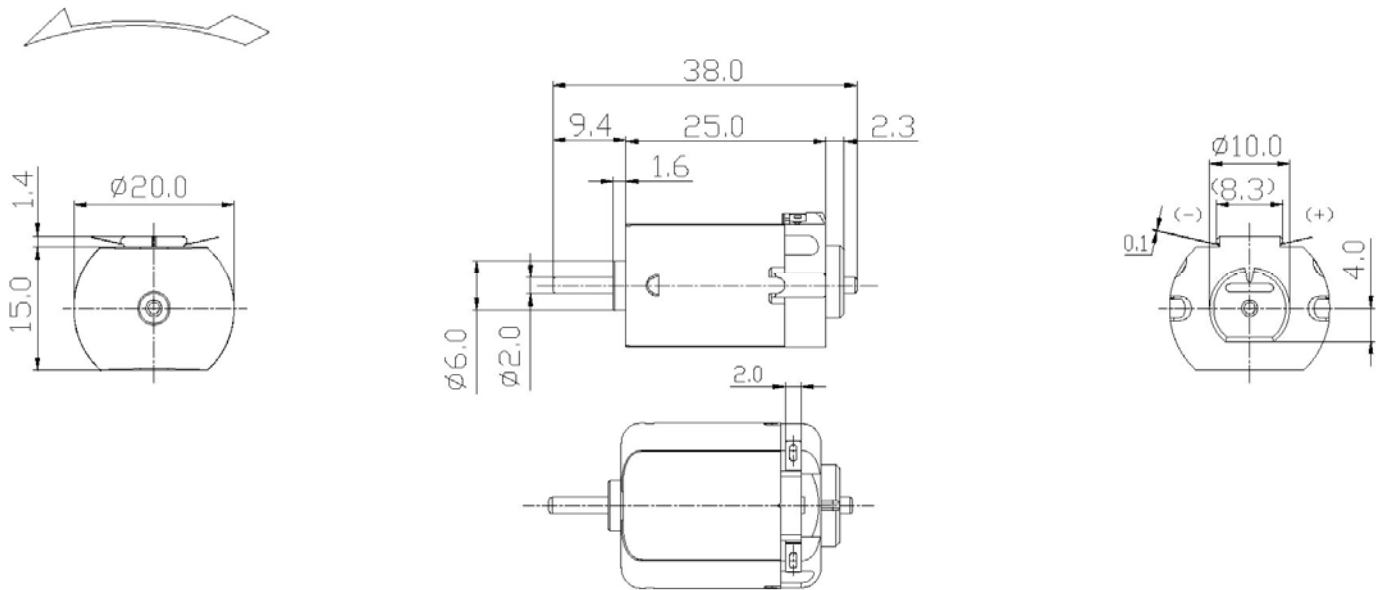


TF130 /S Series

Typical Applications: Toys and Models
-Radio Control Model

DIRECTION OF ROTATION

UNIT: MILLIMETRES



WEIGHT: 17g (APPROX)

MODEL	VOLTAGE		NO LOAD		AT MAXIMUM EFFICIENCY				STALL		
	OPERATION RANGE	NOMINAL	SPEED	CURRENT	SPEED	CURRENT	TORQUE		TORQUE		CURRENT
			rpm	A	rpm	A	mN-m	g-cm	mN-m	g-cm	A
TF130-12240	3.0~6.0V	3.0V CONSTANT	5800	0.060	4250	0.150	0.44	4.5	1.76	18	0.40
		6.0V CONSTANT	1100	0.080	8280	0.250	0.77	7.9	3.14	32	0.75
TF130-18100	1.5~3.0V	1.5V CONSTANT	6000	0.130	4360	0.350	0.56	5.7	2.16	22	0.92
		3.0V CONSTANT	12000	0.160	9360	0.800	0.82	8.4	3.92	40	2.01
TF130S-10360	3.0~12.0V	4.5V CONSTANT	4000	0.035	3061	0.100	0.82	8.4	3.14	32	0.29
TF130S-15165	3.0~9.0V	7.5V CONSTANT	15000	0.100	12300	0.500	1.63	16.6	9.02	92	2.25