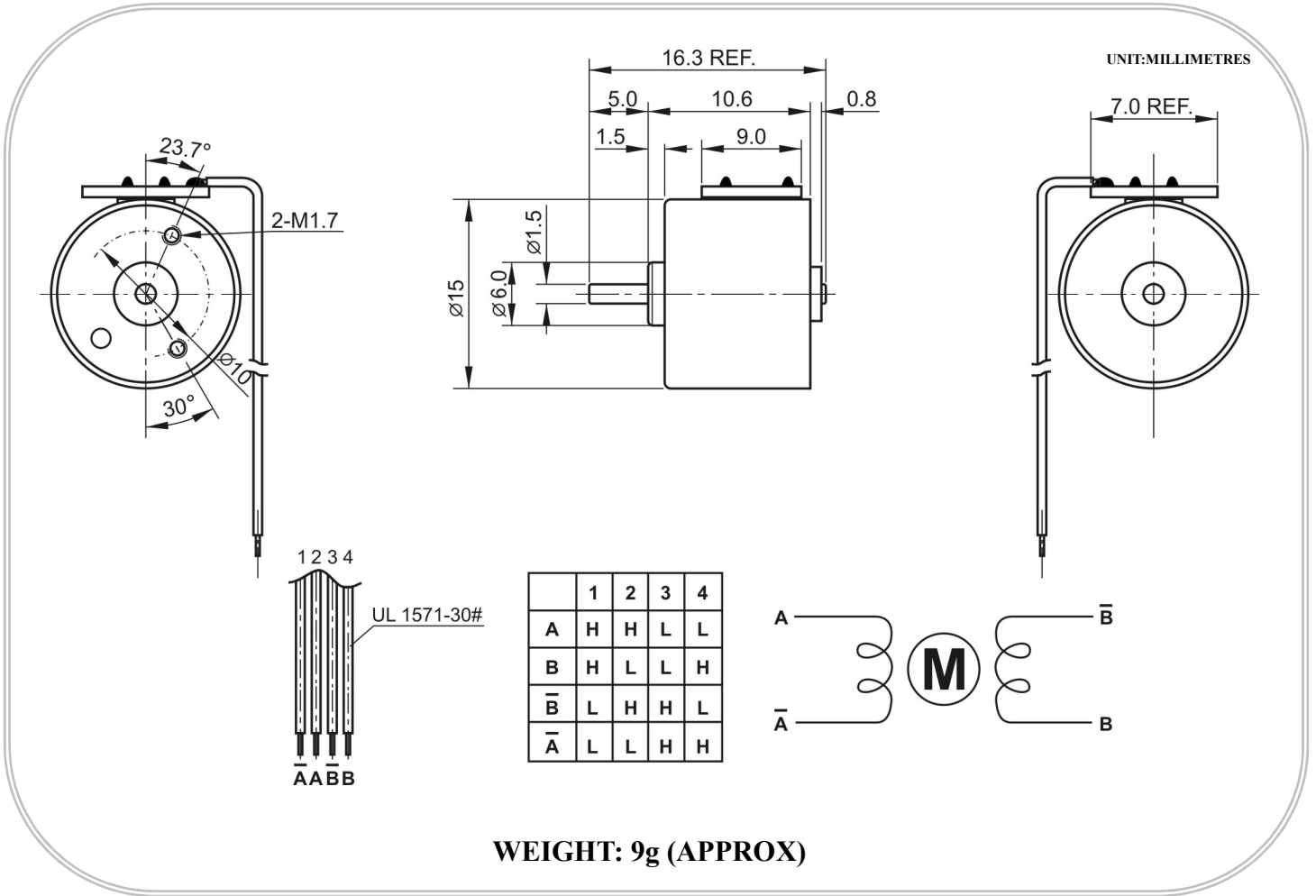


# TS15 stepping motor series

Typical Applications: Automotive Products  
- Automatic Control



MODEL	TS15
VOLTAGE	3V
PHASE	2
TYPE	BIPOLAR
ROTOR INERTIA	0.04g-cm
STEP ANGLE	18(Deg/Step)
COIL RESISTABCE	20
DIELECTRIC STRENGTH	AC600V, 2Sec.(60Hz) Leakage Current 10mA Max.