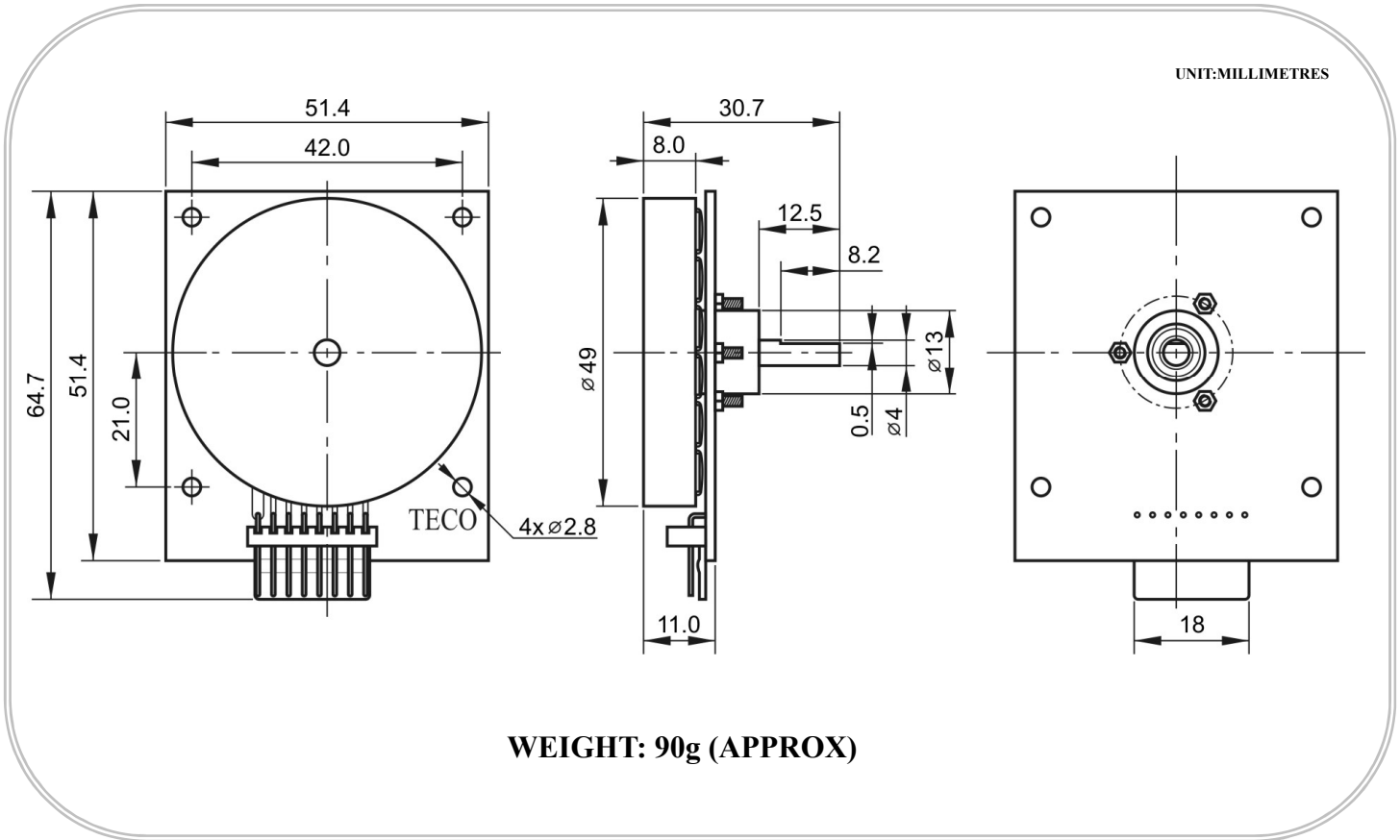


## TBL42 brushless motor series

Typical Applications: Automotive Products  
- Automatic Control



MODEL	TBL42 (with 3 hall sensor)
Operation Voltage	8V
Phase	3
No Loading Speed	10000RPM
No Loading Current	0.65A