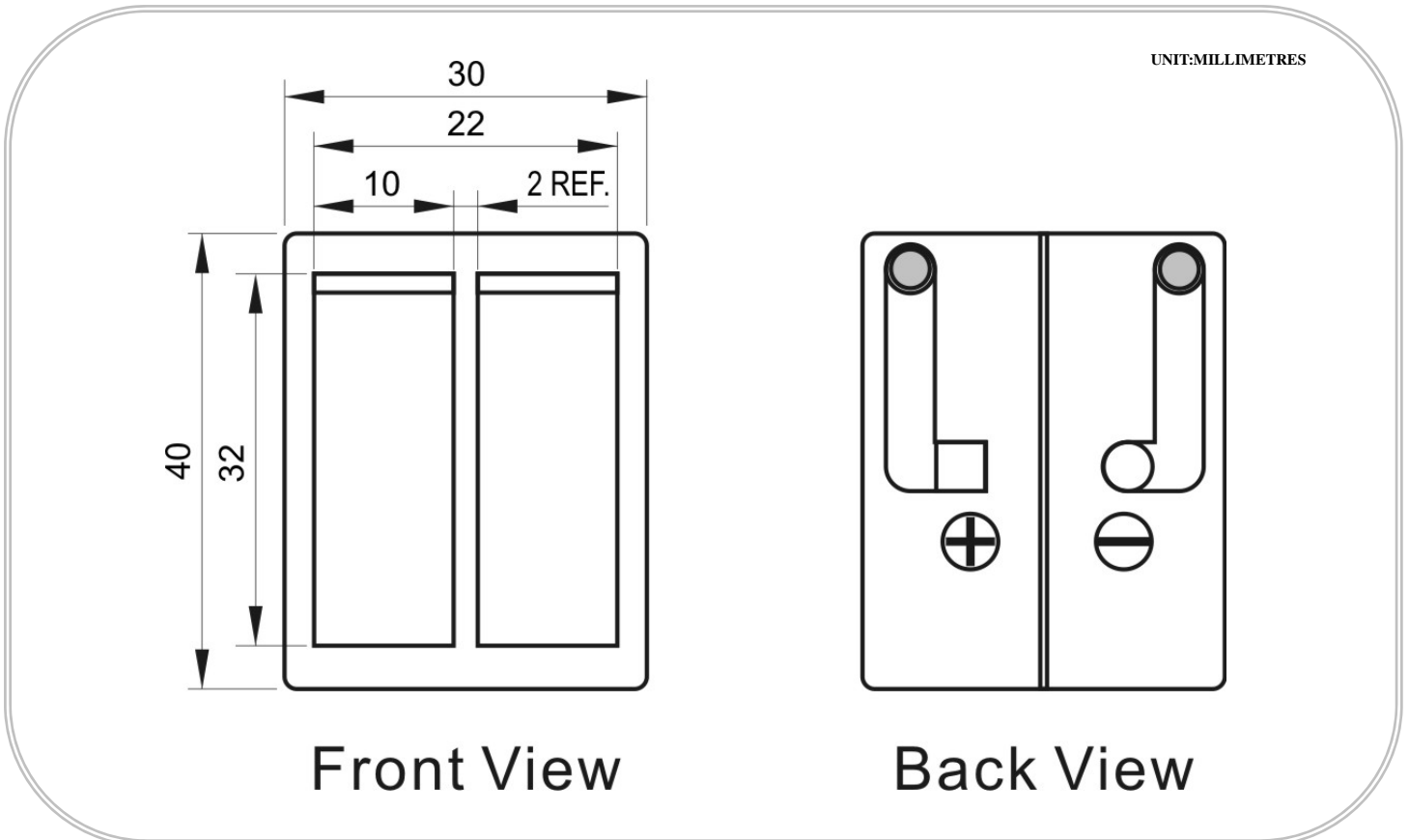




TSP1.0-95 solar panel series

Typical Applications: Toys and Models
- Solar Electric Product



Main Technical and Configuration Data

MODEL		TSP1.0-95
Peak Power	W	0.09 (APPROX)
Open Circuit Voltage (Voc)	V	≥ 1
Short Circuit Current (Isc)	mA	95 \pm 15%
Max. Rated System Voltage	V	1.0 \pm 15%
Working Temperature	$^{\circ}$ C	-40 ~ 60
Dimension (L*W*H)	mm	30*60*3.0 \pm 0.5