

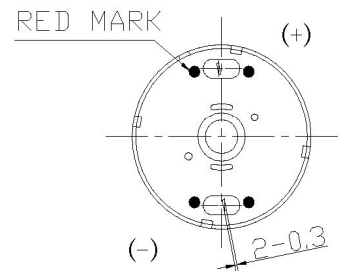
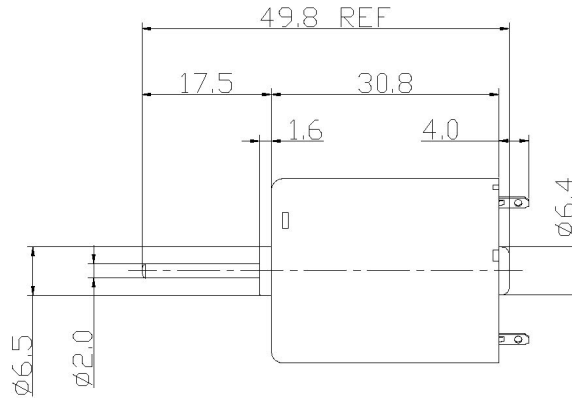
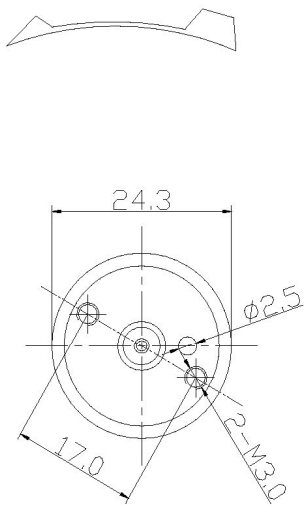
RF370 /C series

Typical Applications: Audio and Visual Equipments /Household Appliances

- CD Player
- Kitchen Appliances
- VCR
- Blood Pressure Meter

DIRECTION OF ROTATION

UNIT:MILLIMETRES



WEIGHT: 51g (APPROX)

MODEL	VOLTAGE		NO LOAD		AT MAXIMUM EFFICIENCY				STALL		
	OPERATION RANGE	NOMINAL	SPEED	CURRENT	SPEED	CURRENT	TORQUE		TORQUE		CURRENT
			rpm	A			rpm	A	mN-m	g-cm	
RF370-22141	6.0~12.0V	6.0V CONSTANT	6500	0.055	5670	0.39	2.84	29.0	22.34	228	2.70 Max
RF370C-15230	12.0 ~ 31.0V	31V CONSTANT	22000	0.098	18000	0.455	4.06	41.4	22.54	230	2.08 Max
RF370SC-2980	6.0~9.0V	7.2V CONSTANT	15000	0.267	12800	1.56	3.84	39.2	26.17	267	9.1 Max
RF370SC-3145	1.5~3.0V	1.5V CONSTANT	5200	0.204	4100	0.775	1.53	15.6	7.15	73	2.88 Max