



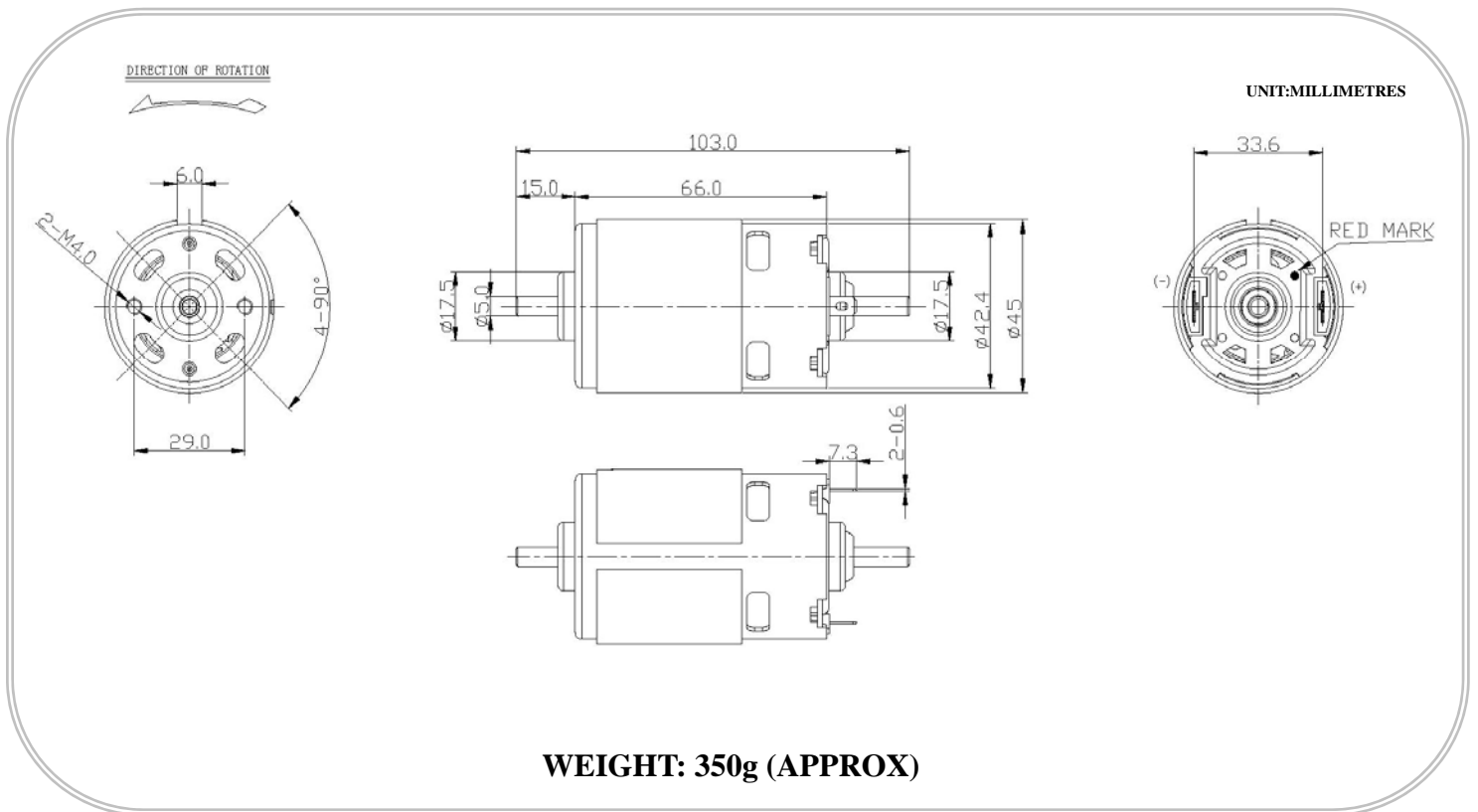
## TR775MSC series

Typical Applications:

- Cordless Power Tools
- Cordless Garden Tool
- Drill & Screwdriver

Office Automation Equipments

- Printer



MODEL	VOLTAGE		NO LOAD		AT MAXIMUM EFFICIENCY				STALL		
	OPERATION RANGE	NOMINAL	SPEED	CURRENT	SPEED	CURRENT	TORQUE		TORQUE		CURRENT
			rpm	A	rpm	A	mN-m	g-cm	mN-m	g-cm	A
TR775MSC-29105	12~24V	24V CONSTANT	3550	0.14	3050	0.85	39.89	407	294.0	3000	5.30
TR775MSC-3852	12~24V	24V CONSTANT	7600	0.50	6500	2.98	59.29	605	421.4	4300	18.30
TR775MSC-4050	12~24V	24V CONSTANT	7950	0.38	6900	2.74	55.37	565	441.0	4500	19.0