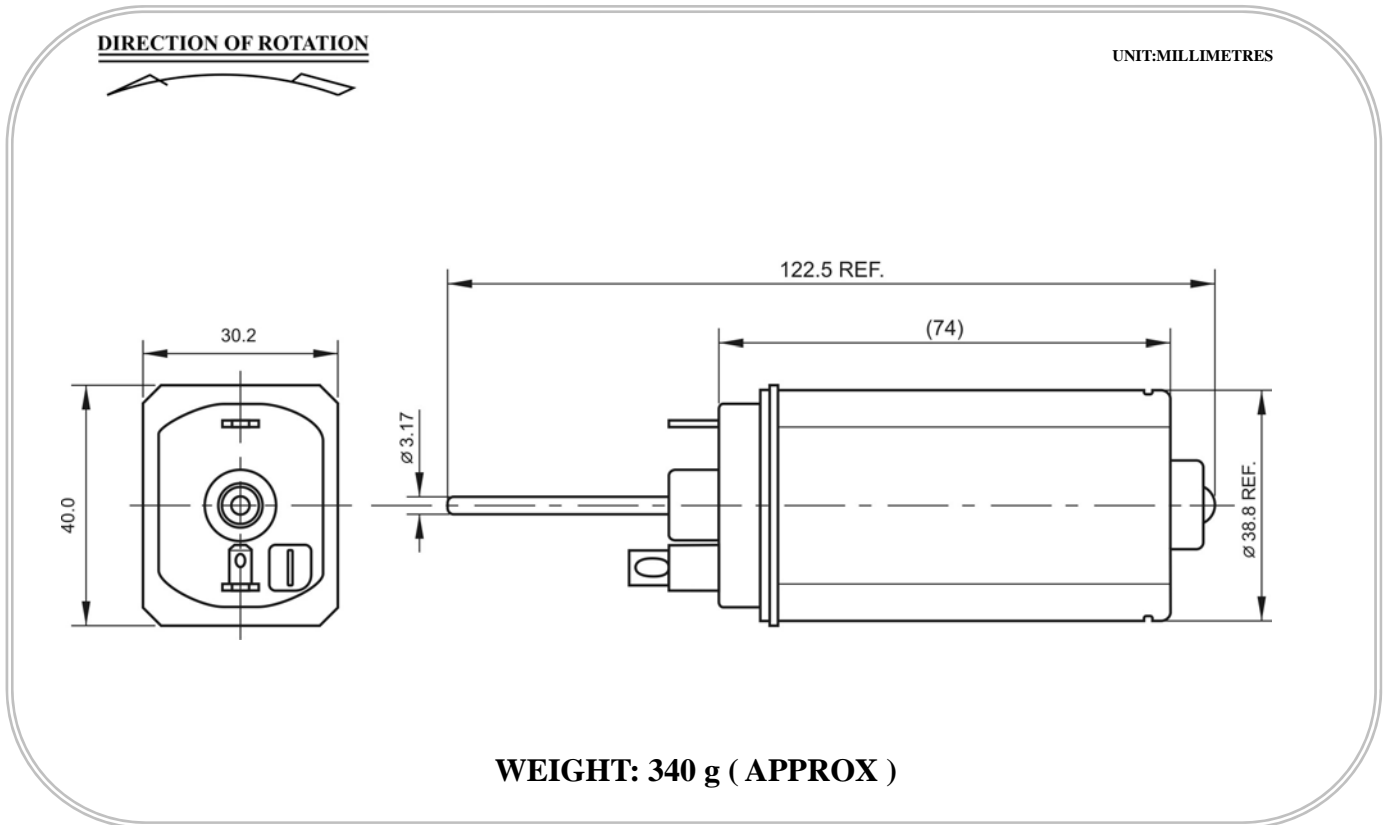




# PWL363 Series

Typical Applications: Automotive Products  
- Power Window Lifter



MODEL	VOLTAGE		NO LOAD		AT MAXIMUM EFFICIENCY			
	OPERATION RANGE	NORMAL	SPEED	CURRENT	SPEED	CURRENT	TORQUE	
			RPM	A	RPM	A	mN-m	g-cm
PWL363	9.0~15V	12V CONSTANT	7500	0.8	6200	5.0	60	612