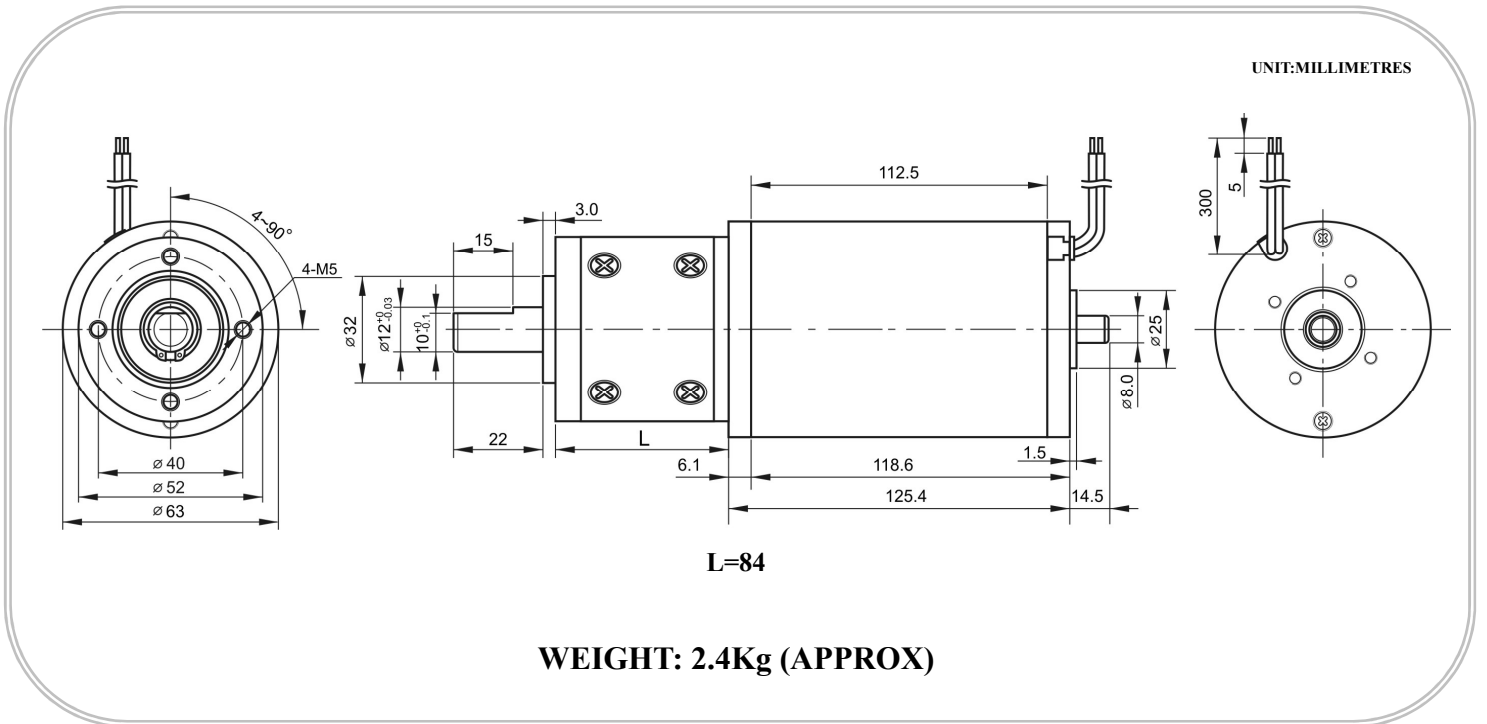




## WP63-IG52 series

- Typical Applications
- Precision Instruments
  - Household Appliances
  - Production Control System
- / Automotive Products
  - Powerful Tools



MODEL	VOLTAGE		MOTOR	OUTPUT		STEP DOWN	MAXIMUM TORQUE	
	OPERATION RANGE	NOMINAL		SPEED	CURRENT		SPEED	N-m
WP63-IG5243	12~24V	24V CONSTANT	6500 rpm	1.2 A	152 rpm	43 Ratio	19.87 N-m	202.58 Kg-cm