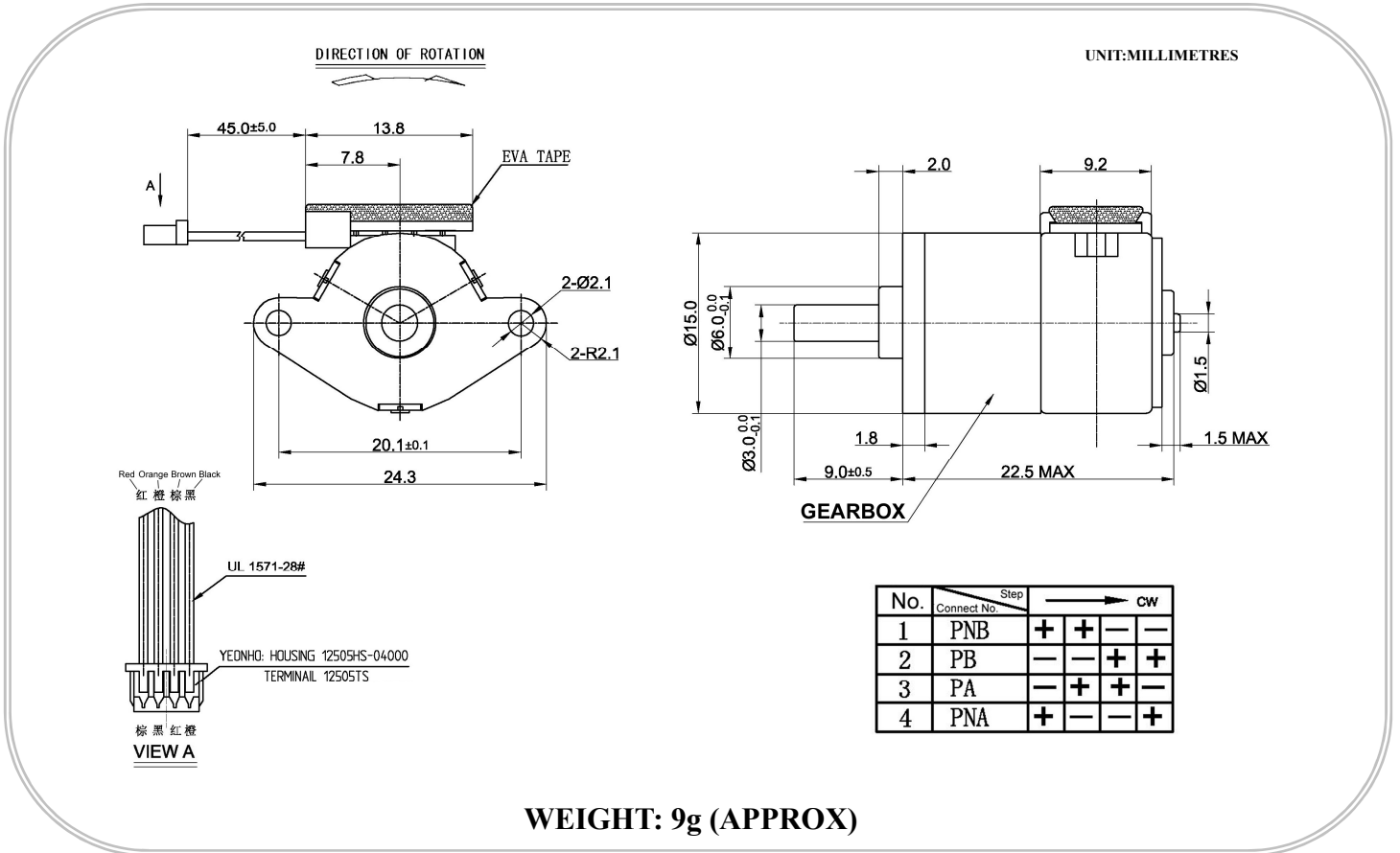


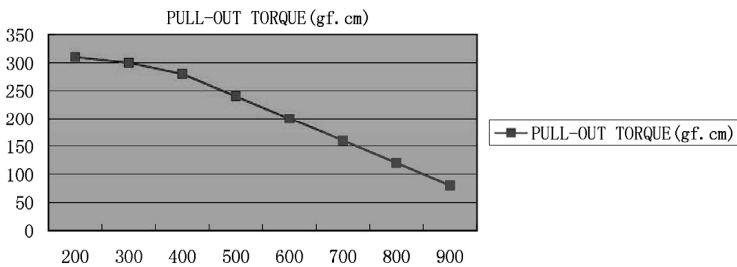


TS15GB15 stepping geared motor series

Typical Applications: Automotive Products
- Automatic Control



MODEL	TS15GB1550 (GEAR RATIO 1:50)
DRIVE VOLTAGE	4.5V
DRIVE METHOD	2-2P
DRIVE CIRCUIT	BIPOLAR
DRIVE	L297, L298
COIL RESISTANCE	40Ω



Frequency (PPS)	200	300	400	500	600	700	800	900
PULL-OUT Torque (gf. cm)	310	300	280	240	200	160	120	80