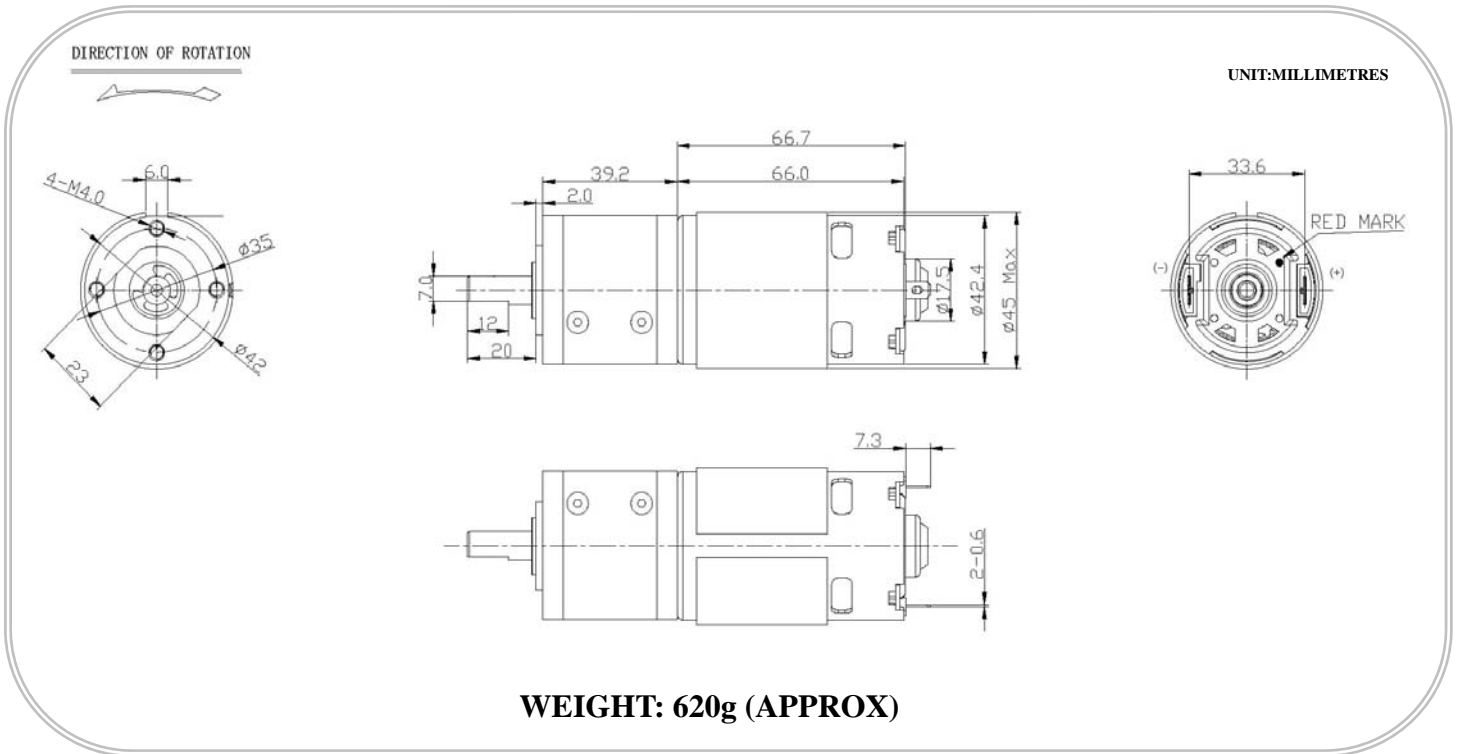




TR775-IG42 series

- Typical Applications:
- Precision Instruments
 - / Automotive Products
 - Household Appliances
 - Powerful Tools
 - Production Control System



MODEL	VOLTAGE		MOTOR	OUTPUT		STEP DOWN	MAXIMUM TORQUE	
	OPERATION RANGE	NOMINAL		SPEED	CURRENT		SPEED	N-m
			rpm	A	rpm	Ratio		
TR775-23105-IG4224	12~24V	24V CONSTANT	3600	0.3	150	24	2.94	30
TR775-4050-IG4214	12~24V	24V CONSTANT	8000	0.8	570	14	2.94	30