

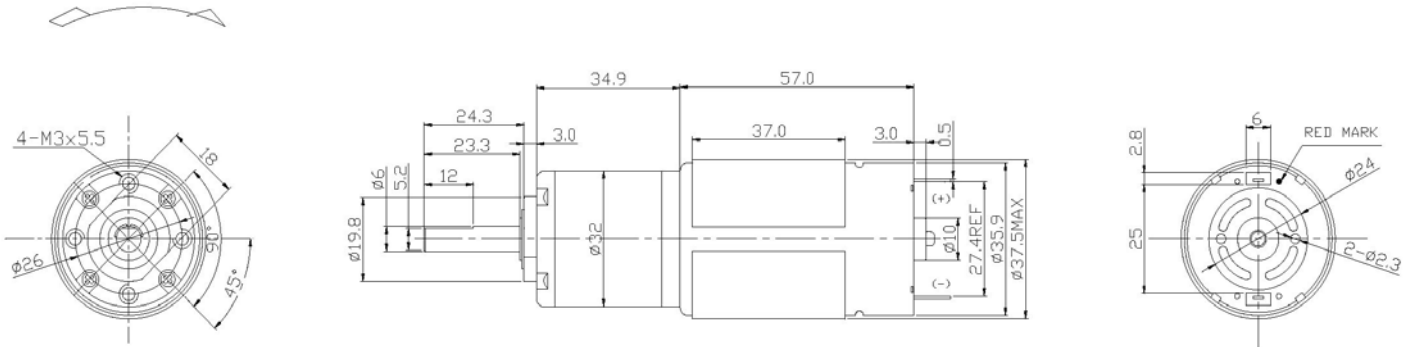


# TR555-IG32 series

- Typical Applications
- Precision Instruments
  - Household Appliances
  - Production Control System

DIRECTION OF ROTATION

UNIT:MILLIMETRES



**WEIGHT: 340g (APPROX)**

MODEL	VOLTAGE		MOTOR	OUTPUT		STEP DOWN	MAXIMUM TORQUE	
	OPERATION RANGE	NOMINAL		SPEED	CURRENT		SPEED	N-m
TR555-15200-IG32139	12~24V	24V CONSTANT	2500 rpm	0.07 A	18 rpm	Ratio 139	2.94 N-m	30 Kg-cm