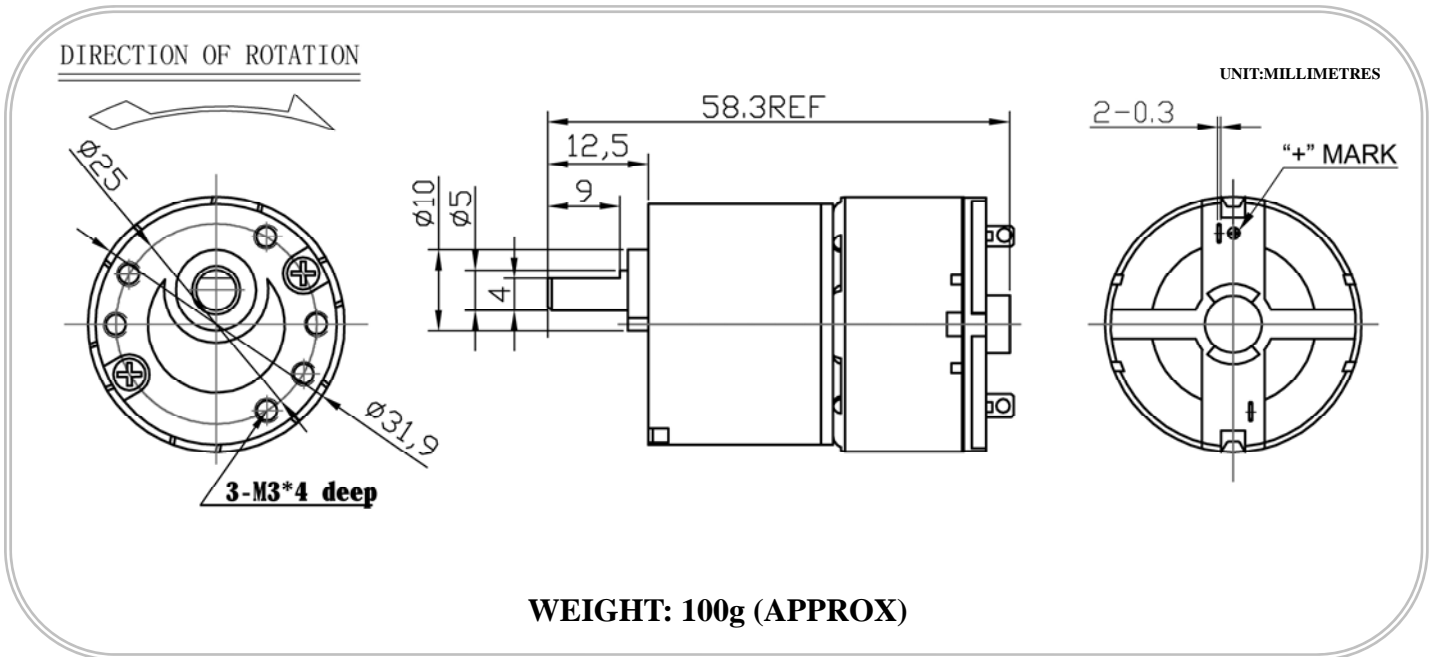




## TR500C-GA30 series

Typical Applications: Precision Instruments  
- Household Appliances



MODEL	VOLTAGE		MOTOR SPEED rpm	OUTPUT		STEP DOWN Ratio	MAXIMUM TORQUE	
	OPERATION RANGE	NOMINAL		CURRENT A	SPEED rpm		N-m	Kg-cm
TR500C-12560-GA3075	12~24V	24V CONSTANT	12000	0.080	153	75	0.59	6
TR500C-12560-GA30100	12~24V	24V CONSTANT	12000	0.080	120	100	0.78	8