

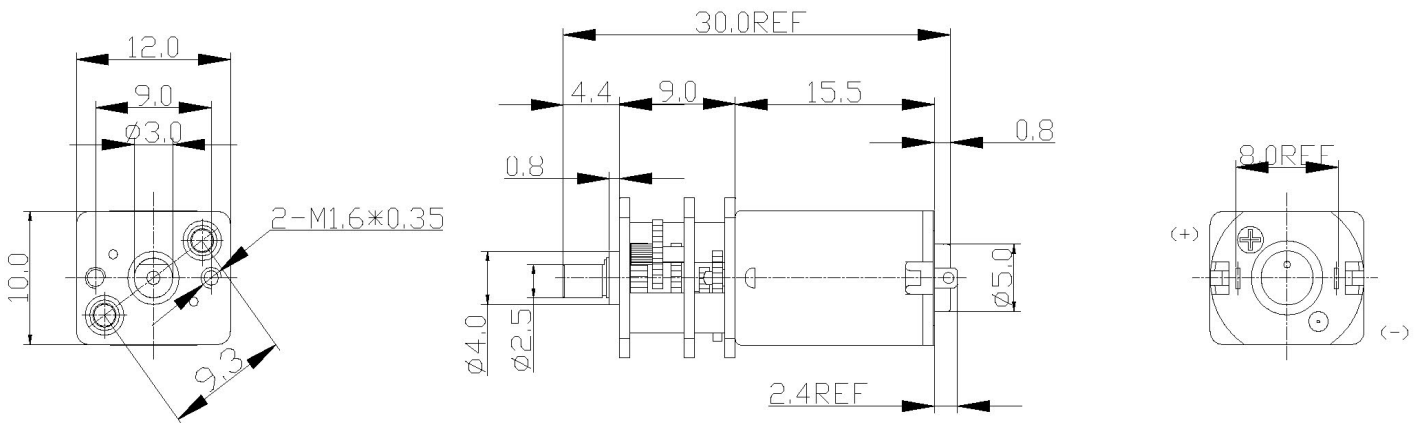


TFN20-GS12 series

Typical Applications: Precision Instruments
- Household Appliances

DIRECTION OF ROTATION

UNIT: MILLIMETRES



WEIGHT: 9.8 g (APPROX)

| MODEL | VOLTAGE | | MOTOR | OUTPUT | | STEP DOWN | MAXIMUM TORQUE | |
|---------------------|-----------------|---------------|-------|--------|---------|-----------|----------------|------|
| | OPERATION RANGE | NOMINAL | | SPEED | CURRENT | | SPEED | N-m |
| | | | | A | rpm | Ratio | | |
| TFN20-07275-GS12298 | 3.0~6.0 | 3.0V CONSTANT | 6300 | 0.030 | 20 | 298 | 0.15 | 1.50 |
| TFN20-06335-GS12298 | 3.0~6.0 | 5.0V CONSTANT | 8350 | 0.016 | 28 | 298 | 0.12 | 1.20 |