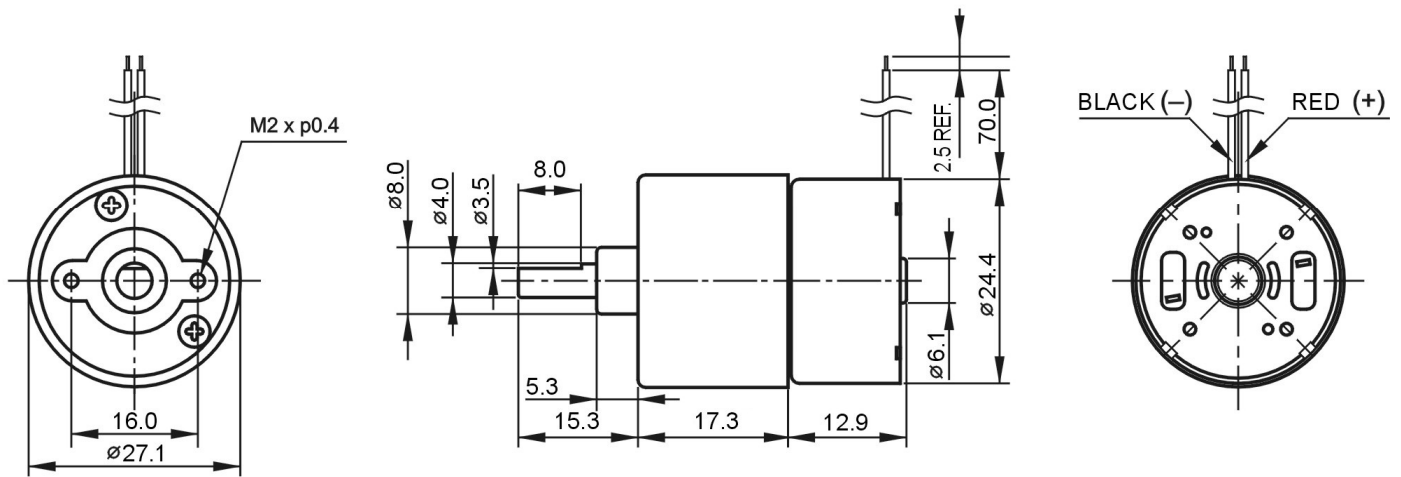


## RF300-GA25 series

- Typical Applications
- Precision Instruments
  - Household Appliances
  - Production Control System
- /Toys and Models
  - Motorized Plastic Model

**DIRECTION OF ROTATION**



**WEIGHT: 45g (APPROX)**

MODEL	VOLTAGE		MOTOR	OUTPUT		STEP DOWN	MAXIMUM TORQUE	
	OPERATION RANGE	NOMINAL		SPEED	CURRENT		SPEED	mN-m
RF300-11440-GA25100	1.0~4.5V	3.0V CONSTANT	3400 rpm	40 mA	34 rpm	100 Ratio	78.4 mN-m	800 g-cm