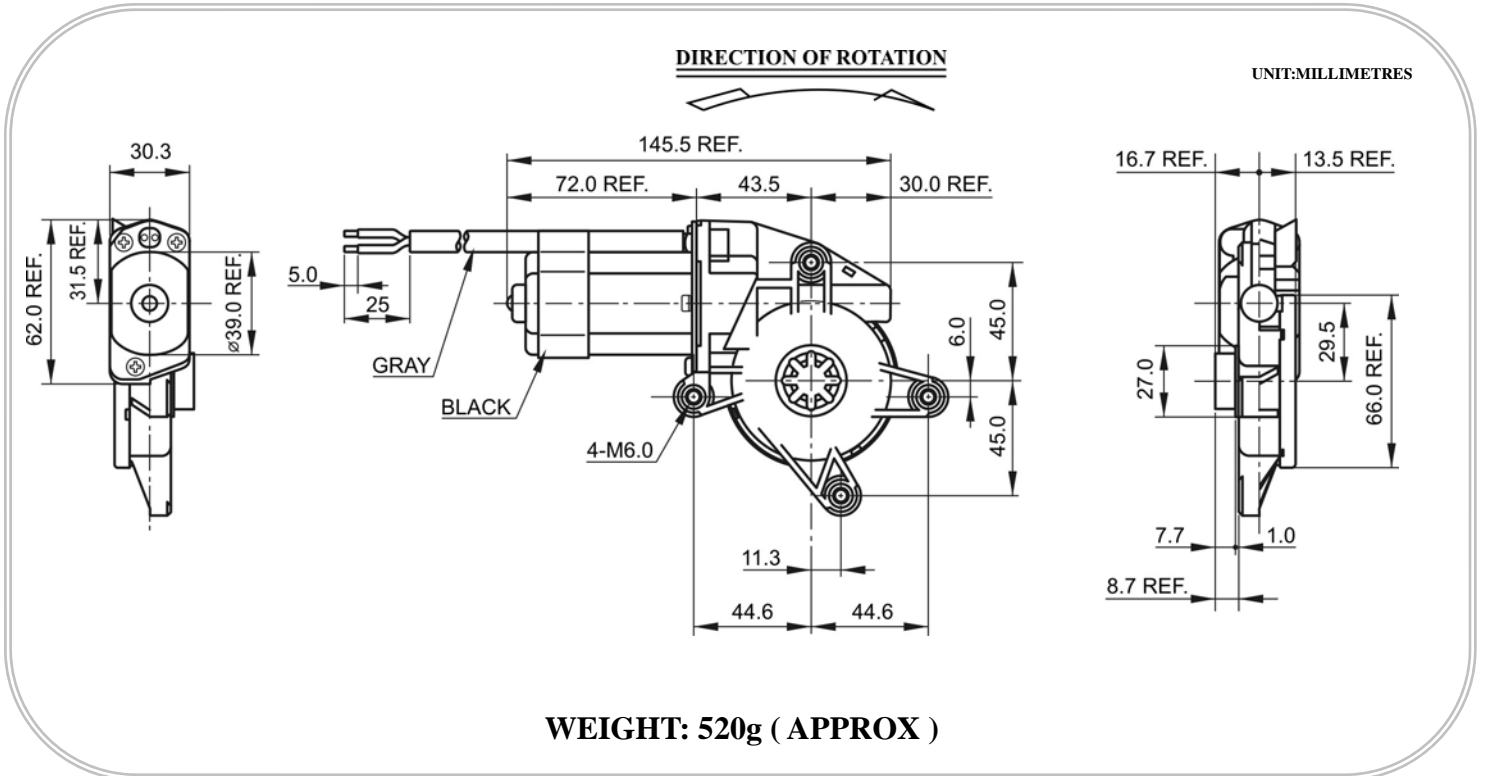




PWL363CS Gear Series

Typical Applications: Automotive Products
- Power Window Lifer



MODEL	VOLTAGE		SPEED		CURRENT			TORQUE		
	OPERATION RANGE	NORMAL	NO LOAD	LOADED	NO LOADED	LOADED	STALL	RATE	STALL	NOISE
			rpm	rpm	A	A	A	mN-m	mN-m	dB
PWL 363CS	12	12 V CONSTANT	95	70	2.8	13	28	3	8.5	65
PWL 363CS-1	24	24 V CONSTANT	95	70	1.8	3.2	7.5	3	6.5	65