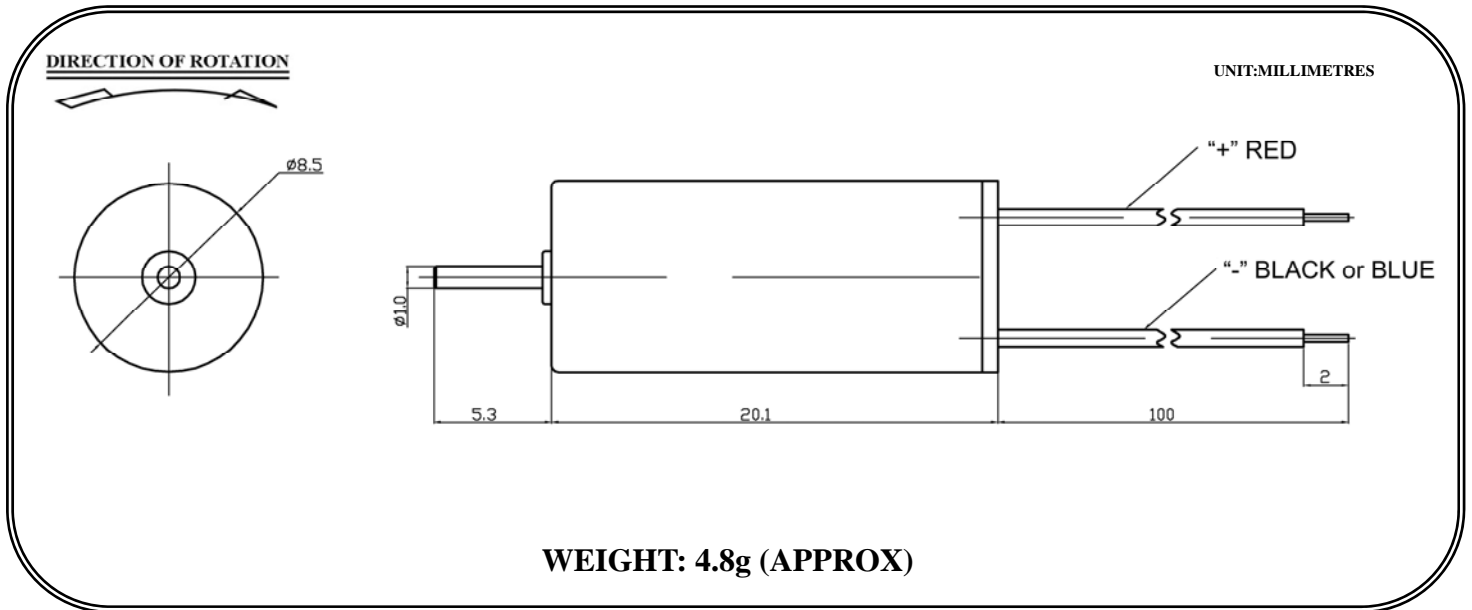


TCL8520 coreless series

- Typical Applications :
- Toys and Models
 - Radio Control Model
 - Electronic Game Machine
 - Motorized Plastic Model



MODEL	VOLTAGE		NO LOAD		STALL
	OPERATION RANGE	NOMINAL	SPEED	CURRENT	CURRENT
			rpm	mA	A
TCL8520	2.9~3.9V	3.4V CONSTANT	39000±8000	160 Max	5.0 Max