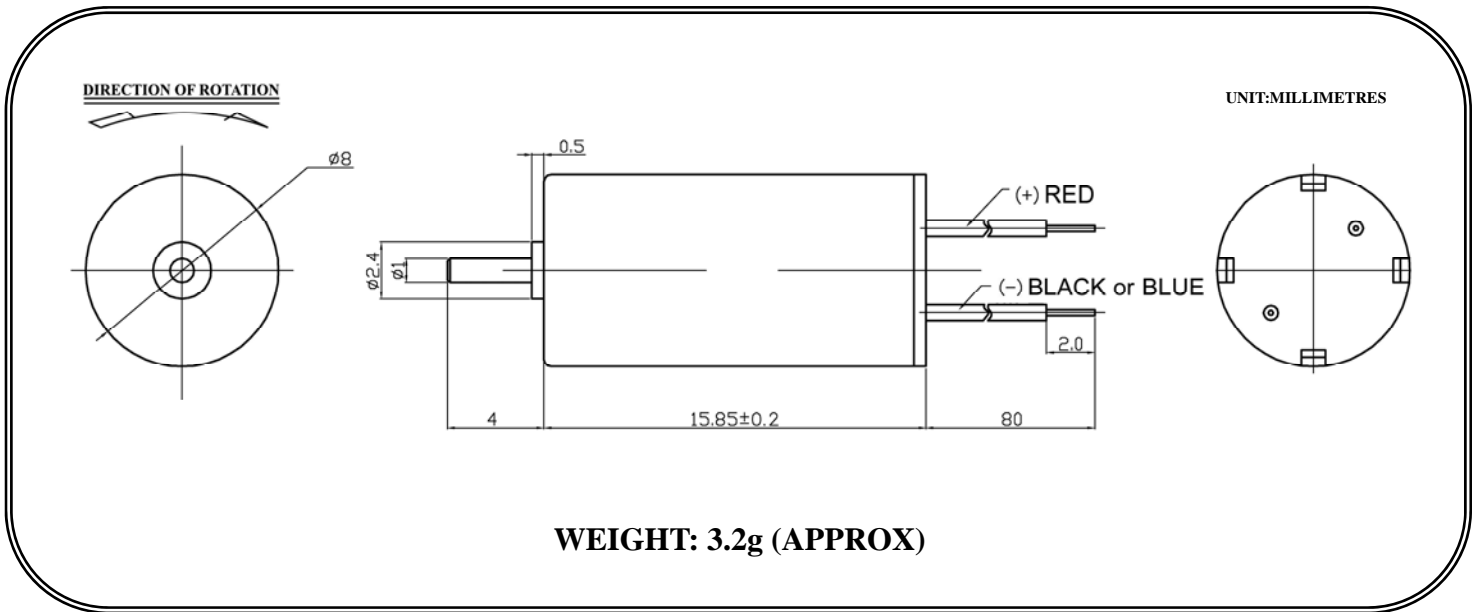




TCL816 coreless series

- Typical Applications:
- Toys and Models
 - Radio Control Model
 - Electronics Game Machine
 - Motorized Toys



MODEL	VOLTAGE		NO LOAD		STALL
	OPERATION RANGE	NOMINAL	SPEED	CURRENT	TORQUE
			rpm	mA	g-cm
TCL816	3.2~4.2V	3.7V CONSTANT	44000±9000	150 Max	18 Min