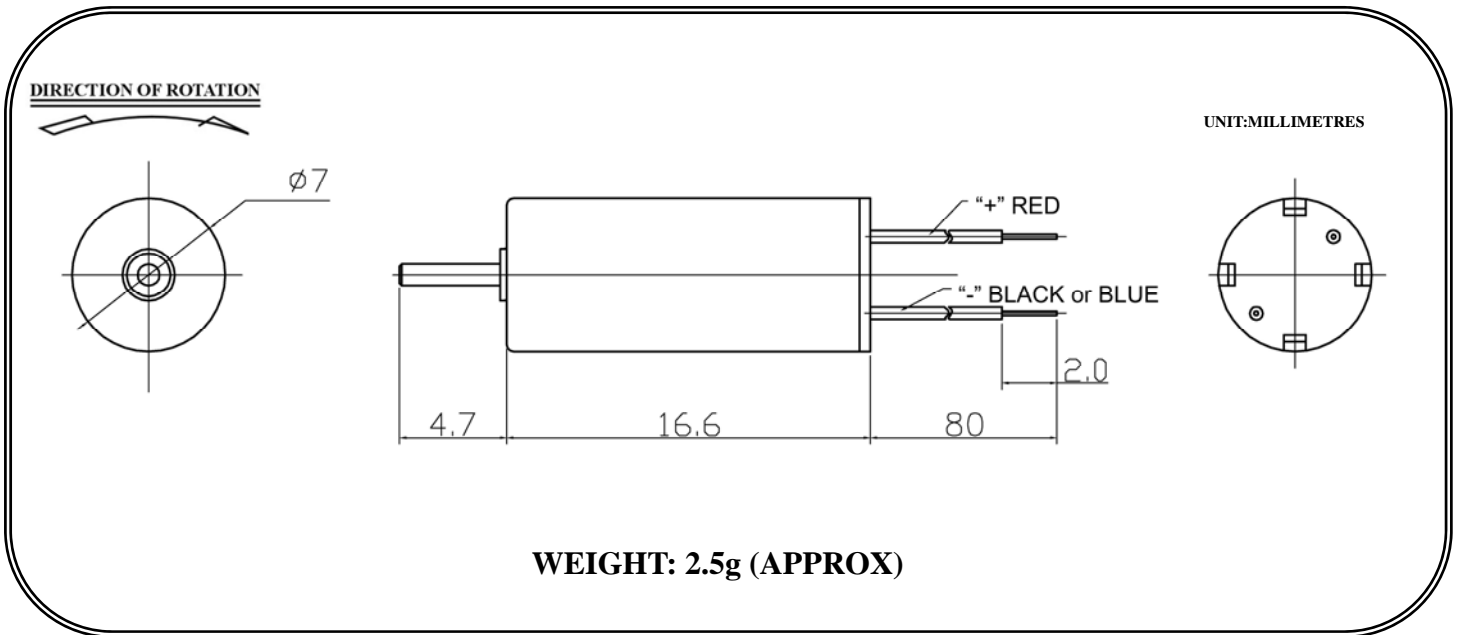




TCL716 coreless series

- Typical Applications:
- Toys and Models
 - Radio Control Model
 - Electronics Game Machine
 - Motorized Toys



MODEL	VOLTAGE		NO LOAD		STALL
	OPERATION RANGE	NOMINAL	SPEED	CURRENT	CURRENT
			rpm	mA	A
TCL716	0.8~1.7V	1.2V CONSTANT	10000±1500	45 Max	0.4 Max