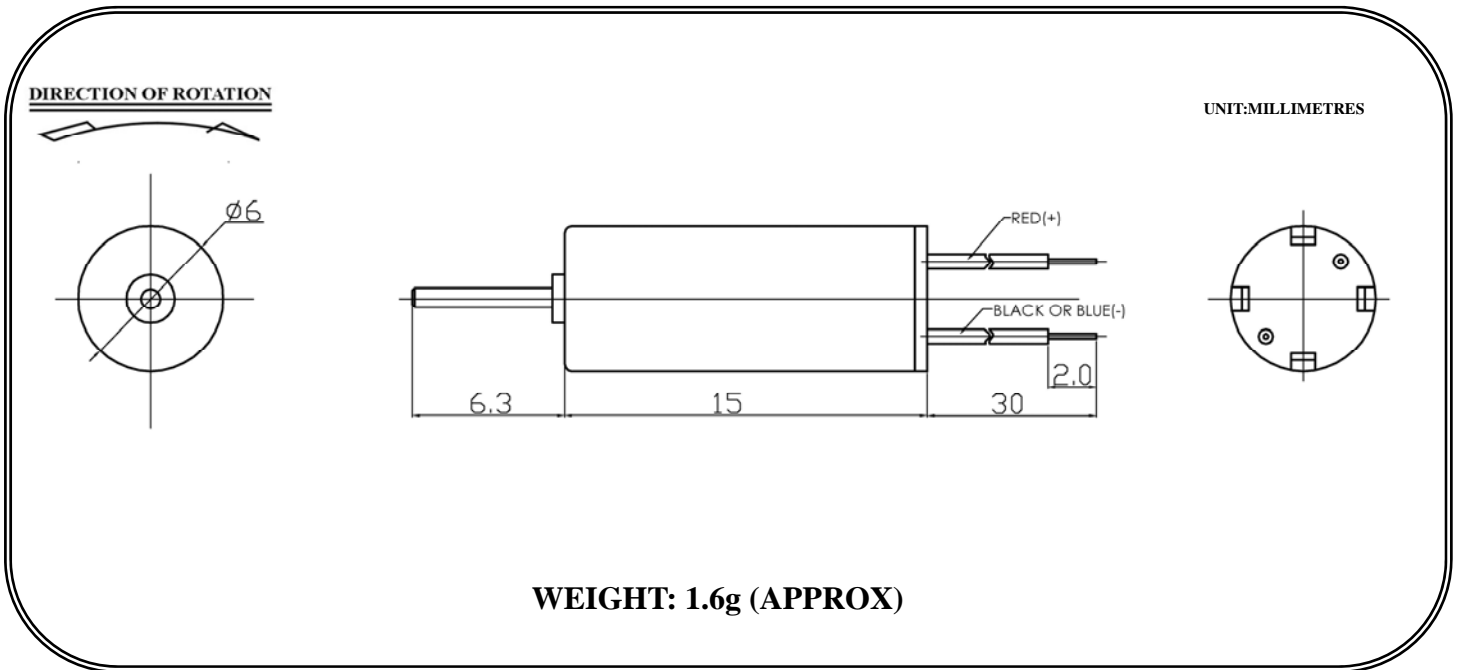




TCL615 coreless series

- Typical Applications:
- Precision Instruments
 - Mobile Phone
- Toys and Models
 - Electronics Game Machine
 - Motorized Plastic Model



MODEL	VOLTAGE		NO LOAD		STALL
	OPERATION RANGE	NOMINAL	SPEED	CURRENT	CURRENT
			rpm	mA	mA
TCL615	1.0~2.0V	1.5V CONSTANT	16000±2400	40 Max	160 Max