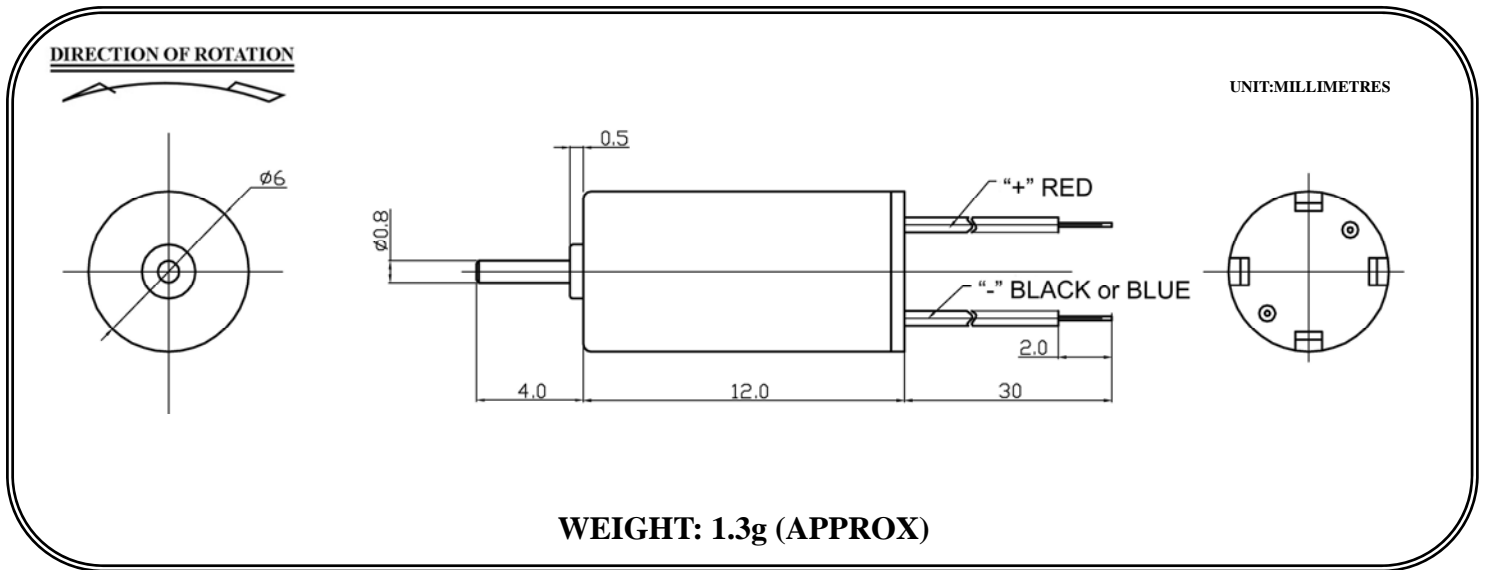


TCL612 coreless series

- Typical Applications:
- Precision Instruments
 - Pager
 - Mobile Phone
- / Toys and Models
 - Motorized Toys
 - Motorized Plastic Model



MODEL	VOLTAGE		NO LOAD		STALL
	OPERATION RANGE	NOMINAL	SPEED	CURRENT	CURRENT
			rpm	mA	mA
TCL612	0.5~1.0V	0.5V CONSTANT	2150±500	10 Max	30 Max