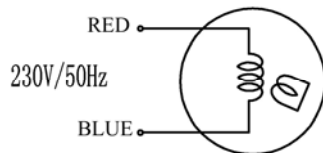
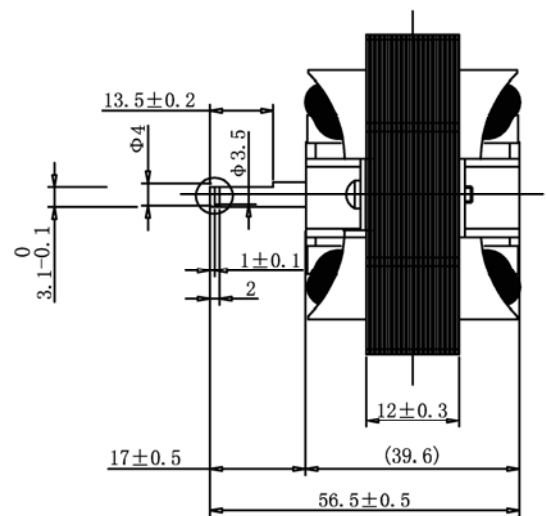
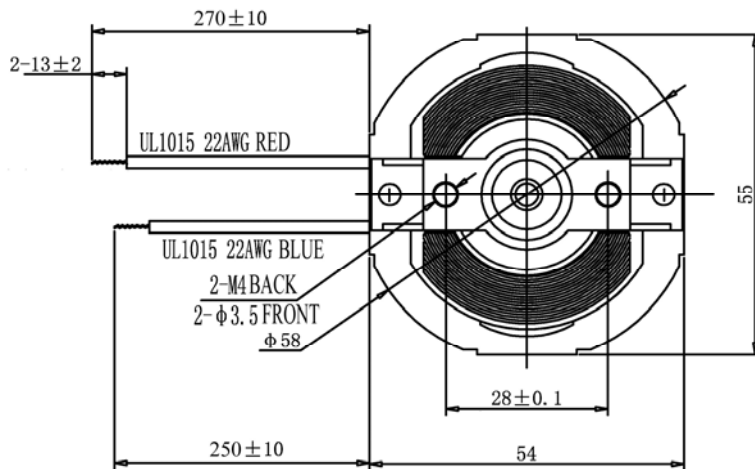


YJR512 series

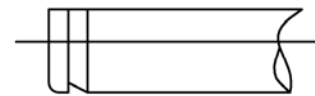
- Typical Applications Electric Fan and Ventilating Fan
- Air Cleaner
 - Motorized Electric-shutter
 - Motorized Plastic Model

DIRECTION OF ROTATION

UNIT:MILLIMETRES



4:1



MODEL	YJR512B-569
1	Rotate clockwise from out-shaft
2	Shaft run out ≤ 0.03mm, and play 0.3~1.0mm
3	Insulation Class E
4	Power supply 230VAC 50Hz, No load: Speed > 2450rpm, Current 0.077A ± 15%, Power 12.6W ± 10%, Start voltage < 161VAC Loading with fan blade: Speed 1950 ± 150rpm, Current 0.082A ± 15%, Power 15.0W ± 15%, Start voltage < 196VAC