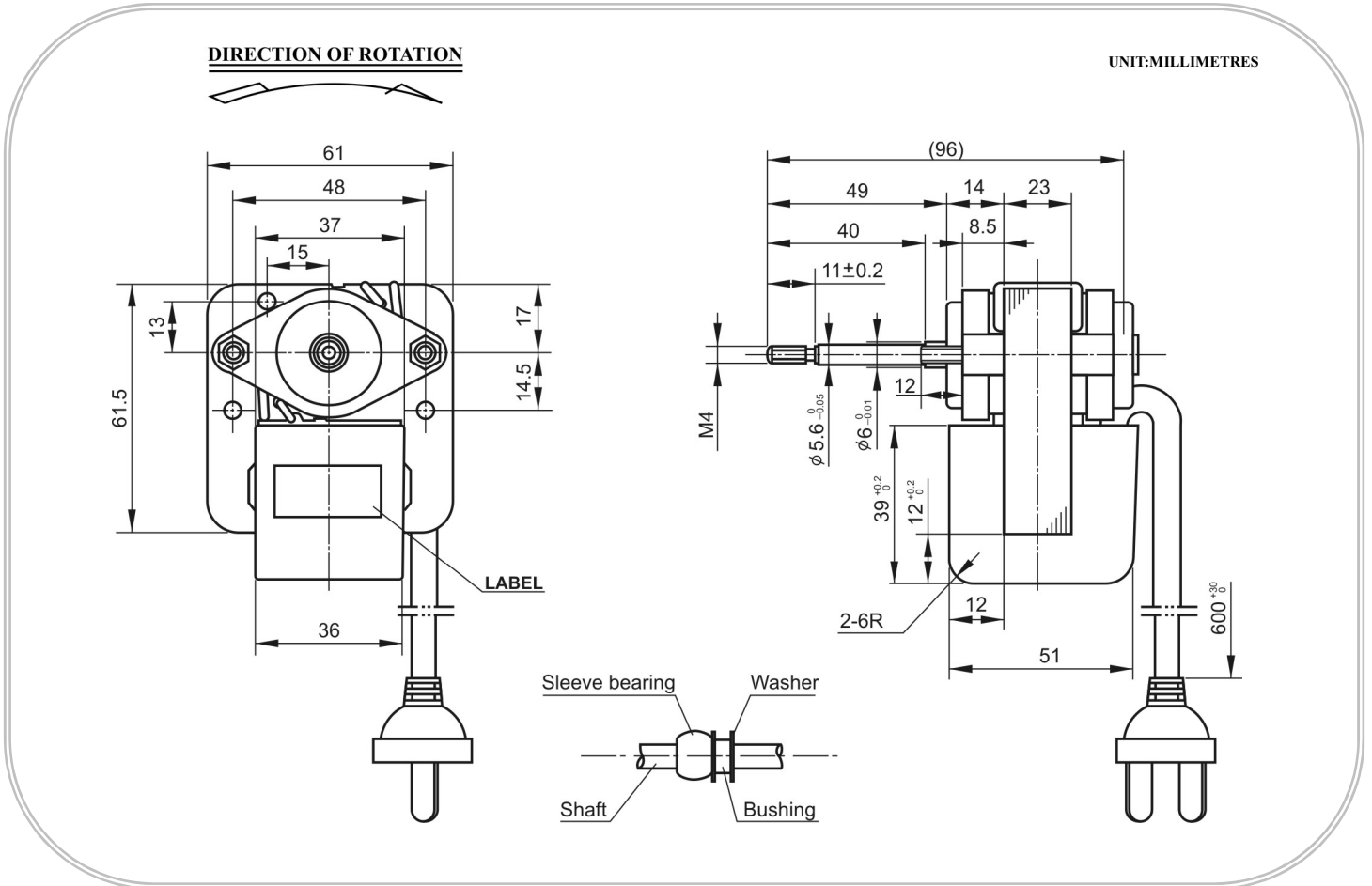


YJF623D series

Typical Applications: Electric Fan
 - Exhauster



MODEL	YJF630D-501N
1	Rotate clockwise from out-shaft
2	Shaft run out < 0.03mm, end play 0.3~1mm
3	International standard GB12350-90
4	Power supply 240VAC 50Hz No Load Speed: ≥ 2750rpm No Load Current: ≤ 0.2A Ust (starting voltage): ≤ 186VAC Power: ≤ 23W