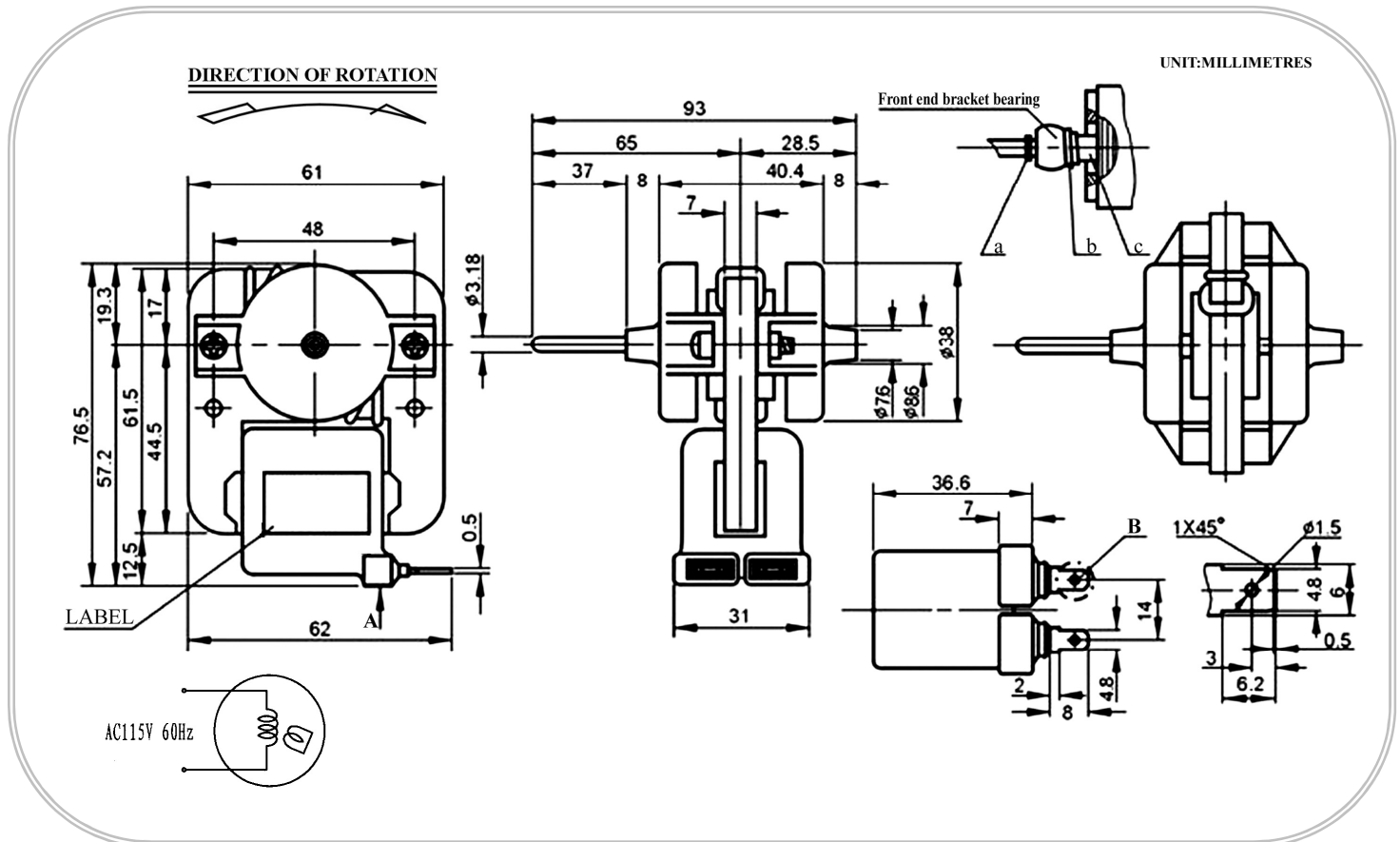


YJF607A series

Typical Applications: Electric Fan and Ventilating Fan

- Motorized Refrigerator
- Motorized Electric-shutter
- Motorized Plastic Model



ITEM NO.	CODE NO.	DESCRIPTION	QTY.
a	S660-015	Shaft Sleeve	1
b	S940-032	Packing Ring	1
c	S940-033	Oil Ring	1

MODEL	YJF607A
1	Rotate clockwise from out-shaft
2	Shaft run out $\leq 0.03\text{mm}$, and play $\leq 1.5\text{mm}$
3	Insulation DC500V $\geq 100\text{M}\Omega$
4	Power supply 220VAC 50Hz, Loading with fan blade $\phi 90$ Speed $2900 \pm 180\text{rpm}$, Current $\leq 0.13\text{A}$, Output Power $\leq 7\text{W}$ Start voltage $\leq 92\text{VAC}$, Noise 31.5dB(A)