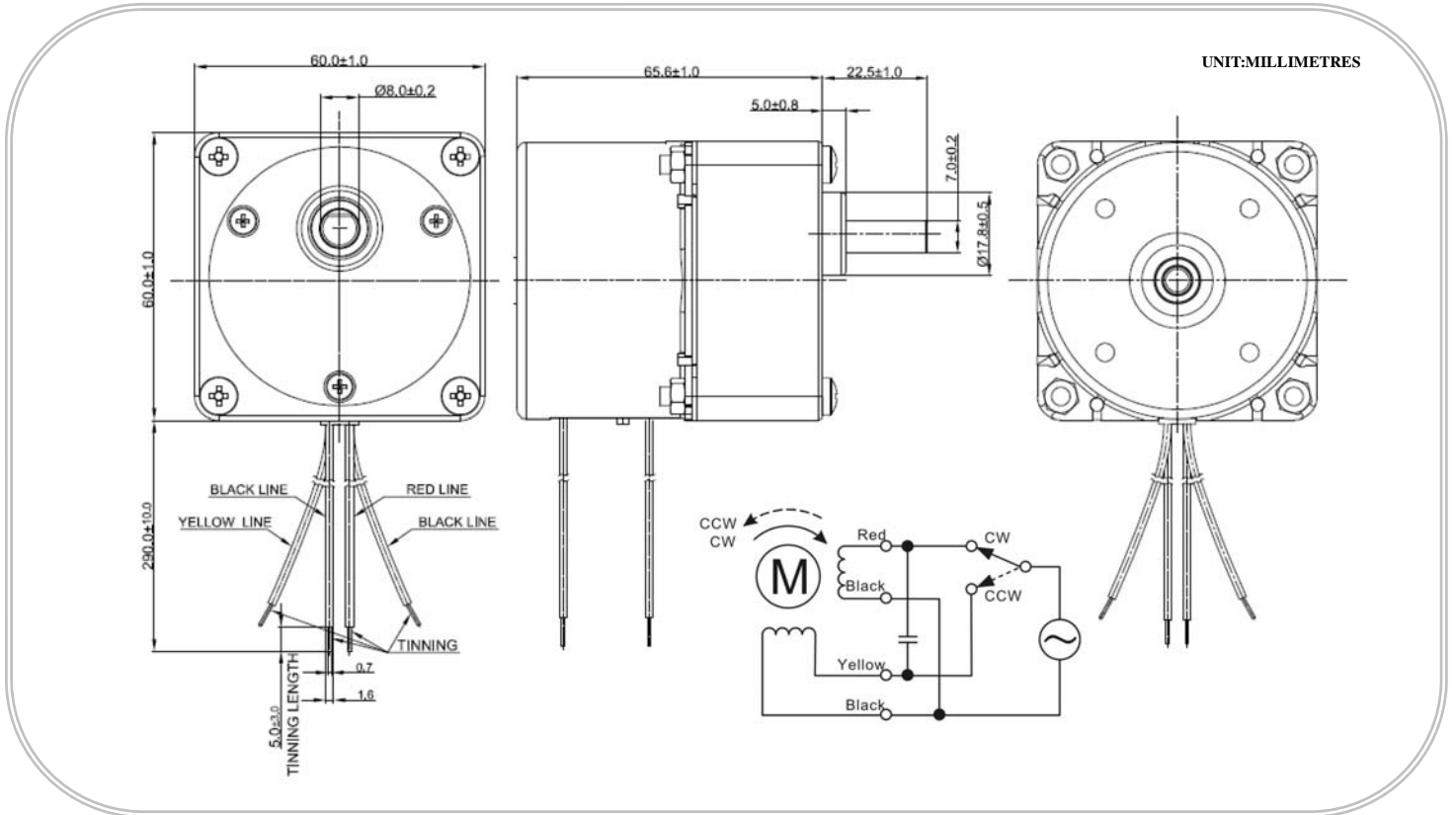


TSY59-GA6050 series

- Typical Applications
- Precision Instruments
 - Household Appliances
 - Production Control System



MODEL		TSY59-GA6050	
Frequency	Hz	50 / 60	
Rated Voltage	V	220	110
Starting Voltage	V	≥ 130	≥ 60
Power Consumption	W	13	16
No Load Current	mA	110 / 100	200 / 190
Geared Ratio	:	1:50	
Speed	rpm	5 / 6	
Torque	Kg-cm	≥ 20	≥ 20
Temperature Rising	deg	≤ 90	
Range of Storage Temperature	°C	-10~+40	
Insulation Resistance		≥ 100MΩ (DC1000V)	
Hi-pot		1s (AC1500V)	
Insulation Class		E	
Matching Capacitor	μF	0.33	1.8
Weight	g	550	540